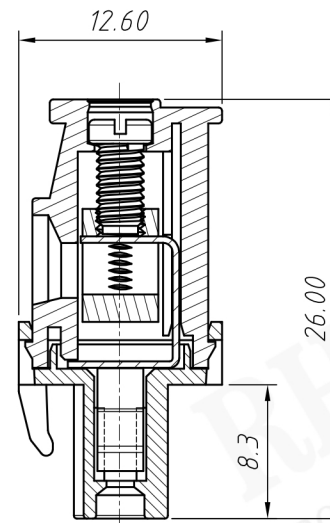
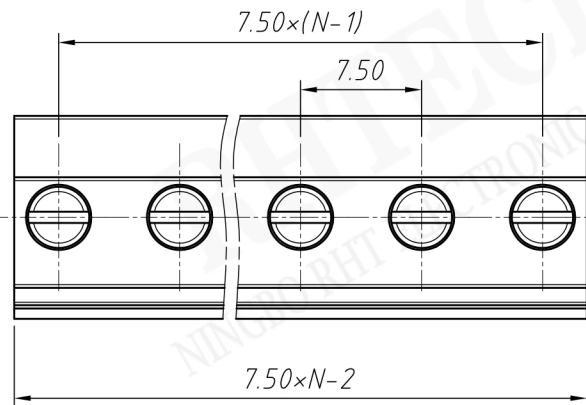


The two line without the feet

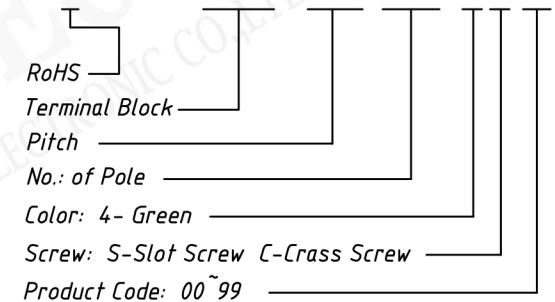


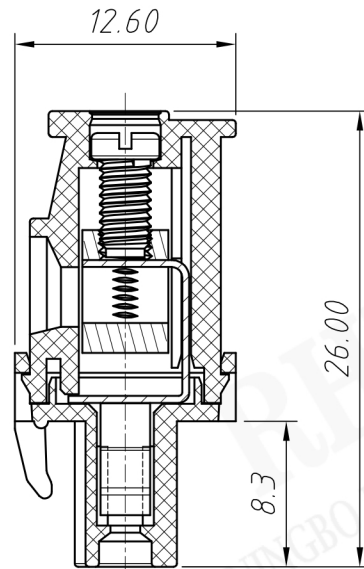
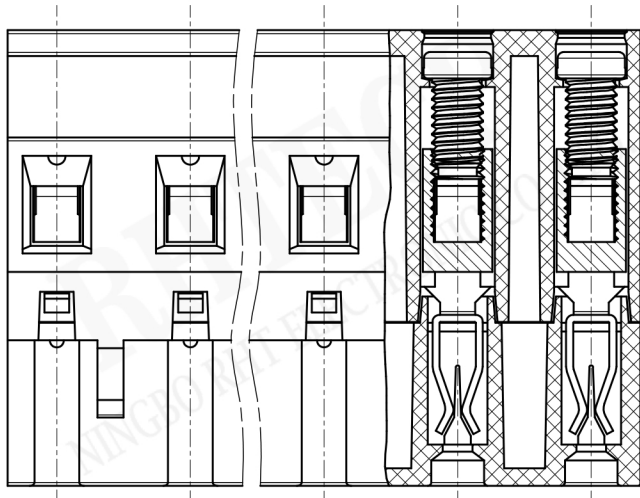
- Material**  
**Housing:** PA66, UL94V-0  
**Cage:** Brass, Ni plated  
**Screws:** M3.0, Steel, Zn plated  
**Clamp:** Phosphor bronze, Ni plated  
**Electrical**  
**Rated voltage:** 300V  
**Rated current:** 15A  
**Contact Resistance:** 20 mΩ  
**Insulation resistance:** 500MΩ/DC500V  
**Withstand voltage:** AC2000V / 1min  
**Wire Range:** 28~14AWG 1.5mm<sup>2</sup>  
**Mechanical**  
**Temp. Range:** -40 °C ~ +105 °C  
**Strip length:** 7~8mm  
**Torque:** 0.5Nm(4.5Lbin)



### Order Information

RE - C - EDKA - 7.50 - XXP - 4 S 00





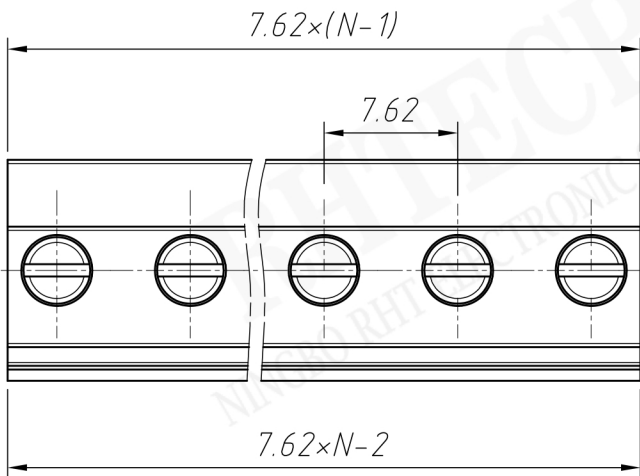
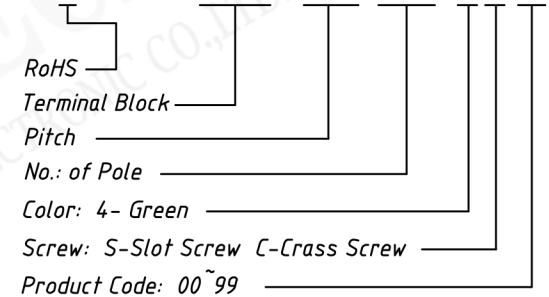
**Material**  
**Housing:** PA66, UL 94V-0  
**Cage:** Brass, Ni plated  
**Screws:** M3.0, Steel, Zn plated  
**Clamp:** Phosphor bronze, Ni plated

**Electrical**  
**Rated voltage:** 300V  
**Rated current:** 15A  
**Contact Resistance:** 20 mΩ  
**Insulation resistance:** 500MΩ/DC500V  
**Withstand voltage:** AC2000V / 1 min  
**Wire Range:** 28~14AWG 2.5mm<sup>2</sup>

**Mechanical**  
**Temp. Range:** -40 °C ~ +105 °C  
**Strip length:** 7~8mm  
**Torque:** 0.5Nm(4.5Lbin)

**Order Information**

RE - C - EDKA - 7.62 - XXP - 4 S 00



UNITS:mm	SHEET SIZE:A4		SCALE: ---	First angle projection <b>TERMINAL BLOCK</b>
> 0~3	> 3~18	> 18~50	> 50~120	
± 0.12	± 0.15	± 0.3	± 0.5	