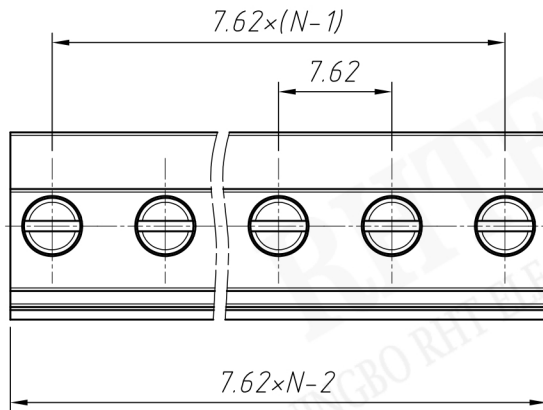
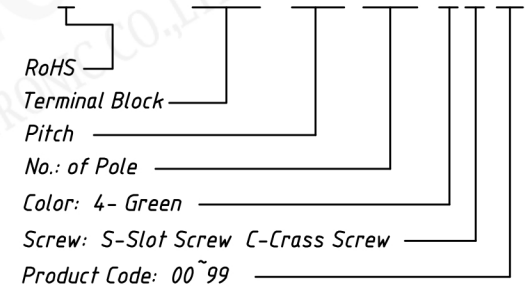


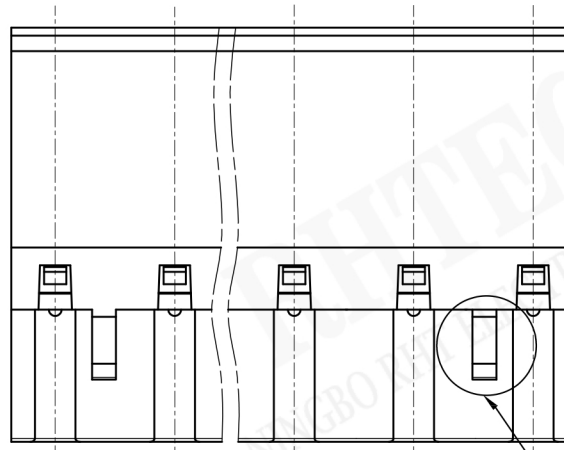
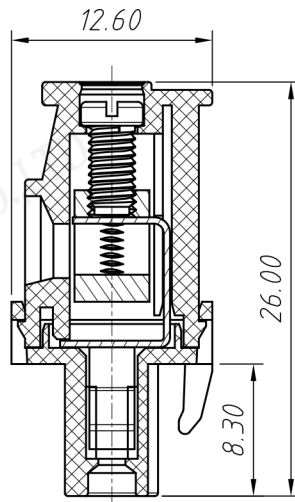
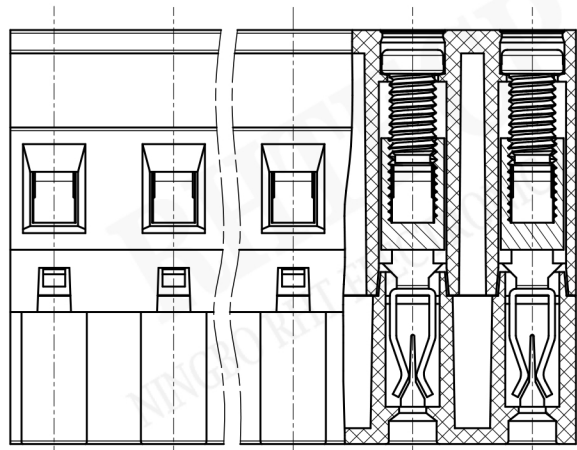
- Material**
Housing: PA66, UL94V-0
Cage: Brass, Ni plated
Screws: M3.0, Steel, Zn plated
Clamp: Phosphor bronze, Ni plated
Electrical
Rated voltage: 300V
Rated current: 15A
Contact Resistance: 20 mΩ
Insulation resistance: 500MΩ/DC500V
Withstand voltage: AC2000V / 1 min
Wire Range: 28~14AWG 1.5mm²
Mechanical
Temp. Range: -40 °C ~ +105 °C
Strip length: 7~8mm
Torque: 0.5Nm(4.5Lbin)



Order Information

RE - C - EDKB - 7.62 - XXP - 4 S 00

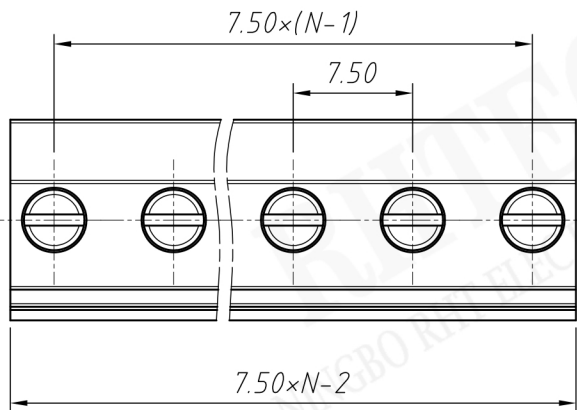




The two line without the feet



- Material**
Housing: PA66, UL94V-0
Cage: Brass, Ni plated
Screws: M3.0, Steel, Zn plated
Clamp: Phosphor bronze, Ni plated
- Electrical**
Rated voltage: 300V
Rated current: 15A
Contact Resistance: 20 mΩ
Insulation resistance: 500MΩ/DC500V
Withstand voltage: AC2000V / 1 min
Wire Range: 28 ~ 14AWG 1.5mm²
- Mechanical**
Temp. Range: -40 °C ~ +105 °C
Strip length: 7 ~ 8mm
Torque: 0.5Nm(4.5Lbin)



Order Information

RE - C - EDKB - 7.50 - XXP - 4 S 00

RoHS —
Terminal Block —
Pitch —
No.: of Pole —
Color: 4 - Green —
Screw: S-Slot Screw C-Cross Screw —
Product Code: 00 ~ 99 —

UNITS:mm	SHEET SIZE:A4		SCALE: ---
> 0 ~ 3	> 3 ~ 18	> 18 ~ 50	> 50 ~ 120
± 0.12	± 0.15	± 0.3	± 0.5