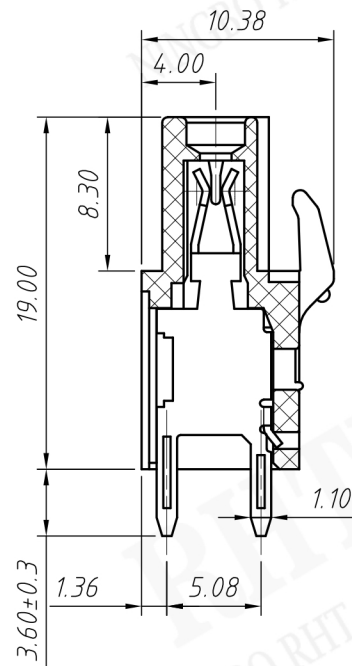
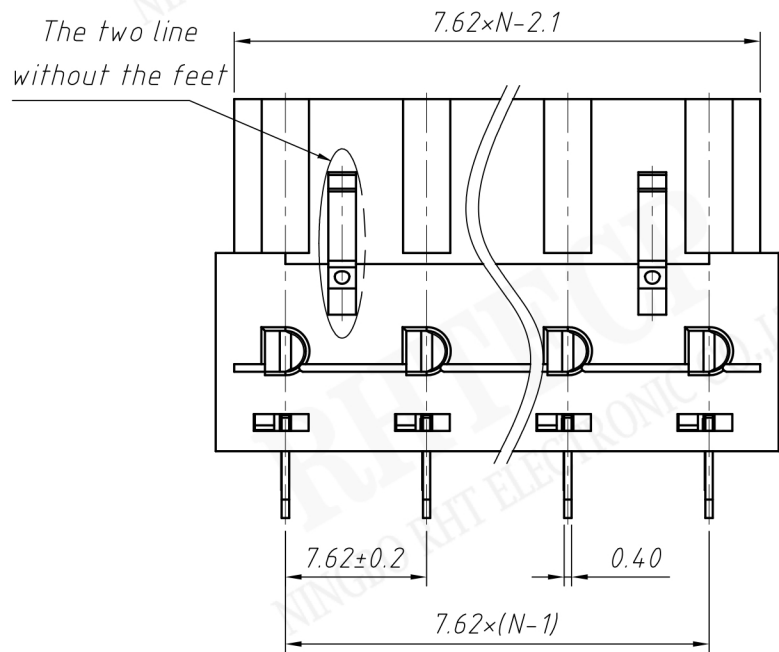


PCB LAYOUT



Material
Housing: PA66, UL94V-0
Clamp: Copper alloy, Sn plated

Electrical
Rated voltage: 300V
Rated current: 15A
Contact Resistance: 20 mΩ
Insulation resistance: 500MΩ/DC500V
Withstand voltage: AC2000V / 1 min
Mechanical
Temp. Range: -40 °C ~ +105 °C



Order Information

RE - C - EDKH - 7.62 - XXP - 4 00

RoHS
Terminal Block
Pitch
No.: of Pole
Color: 4- Green
Product Code: 00 ~ 99