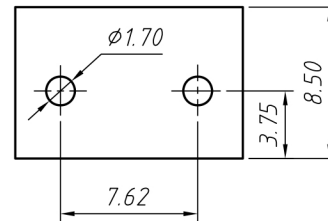
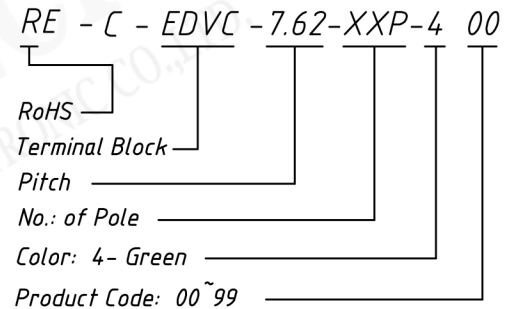


SECTION A-A

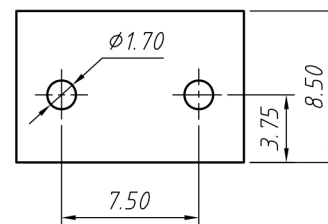
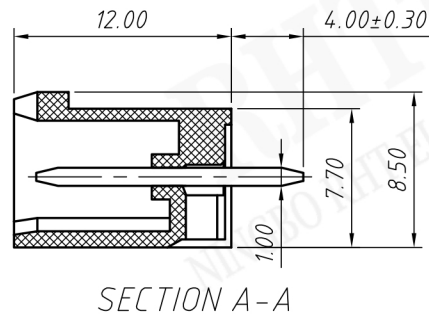
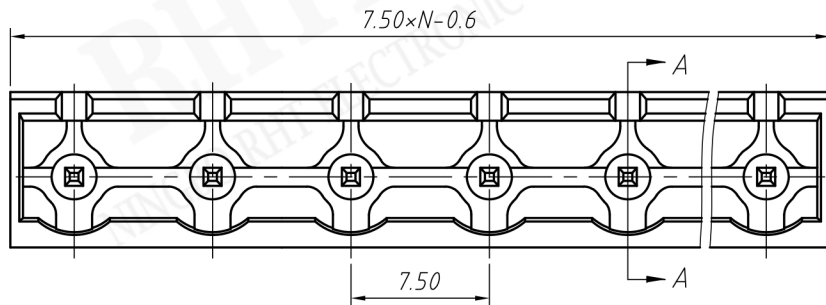


- Material**
Housing: PA66, UL 94V-0
Pin header: Brass, Tin plated
Nut: M2.5 Brass
- Electrical**
Rated voltage: 300V
Rated current: 15A
Contact Resistance: 20 mΩ
Insulation resistance: 500MΩ/DC500V
Withstand voltage: AC2000V / 1 min
- Mechanical**
Temp. Range: -40 °C ~ +105 °C

Order Information



UNITS:mm	SHEET SIZE:A4		SCALE: ---	First angle projection TERMINAL BLOCK
> 0 ~ 3	> 3 ~ 18	> 18 ~ 50	> 50 ~ 120	
± 0.12	± 0.15	± 0.3	± 0.5	



Material
Housing: PA66, UL94V-0
Pin header: Brass, Tin plated
Nut: M2.5 Brass
Electrical
Rated voltage: 300V
Rated current: 15A
Contact Resistance: 20 mΩ
Insulation resistance: 500MΩ/DC500V
Withstand voltage: AC2000V / 1 min
Mechanical
Temp. Range: -40 °C ~ +105 °C

Order Information

RE - C - EDVC - 7.50 - XXP - 4 00
 RoHS
 Terminal Block
 Pitch
 No.: of Pole
 Color: 4- Green
 Product Code: 00 ~ 99