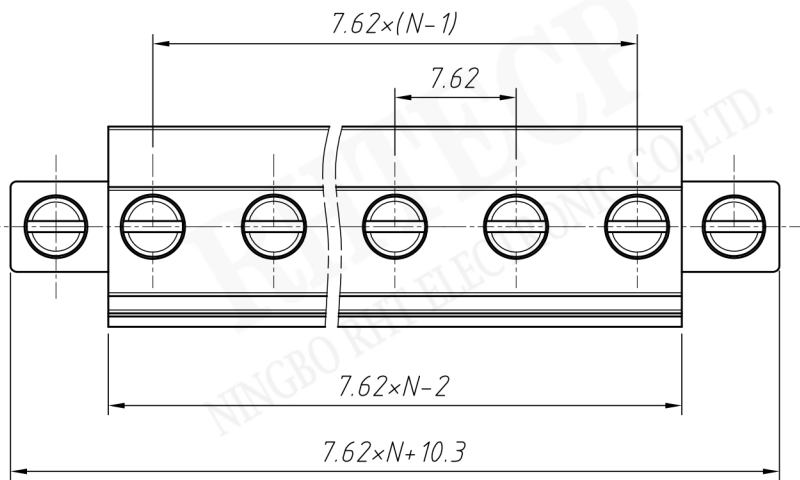
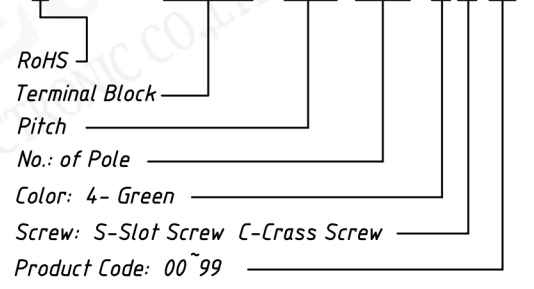


- Material**
- Housing:** PA66, UL94V-0
- Cage:** Brass, Ni plated
- Screws:** M3.0, Steel, Zn plated
- Fix screws:** M2.5 Steel Zn plated
- Clamp:** Phosphor bronze, Ni plated
- Electrical**
- Rated voltage:** 300V
- Rated current:** 15A
- Contact Resistance:** 20 mΩ
- Insulation resistance:** 500MΩ/DC500V
- Withstand voltage:** AC2000V / 1 min
- Wire Range:** 28~14AWG 1.5mm<sup>2</sup>
- Mechanical**
- Temp. Range:** -40 °C ~ +105 °C
- Strip length:** 7~8mm
- Torque:** 0.5Nm(4.5Lbin)

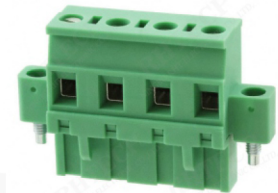
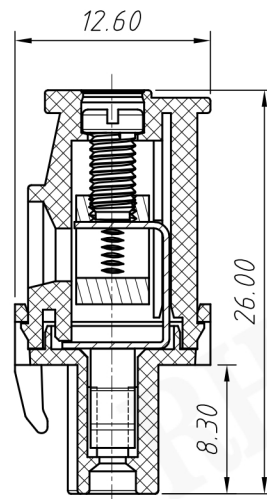
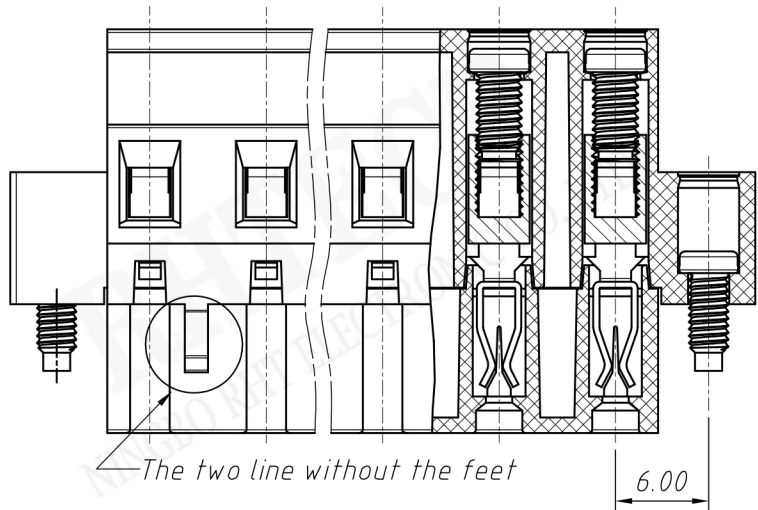


**Order Information**

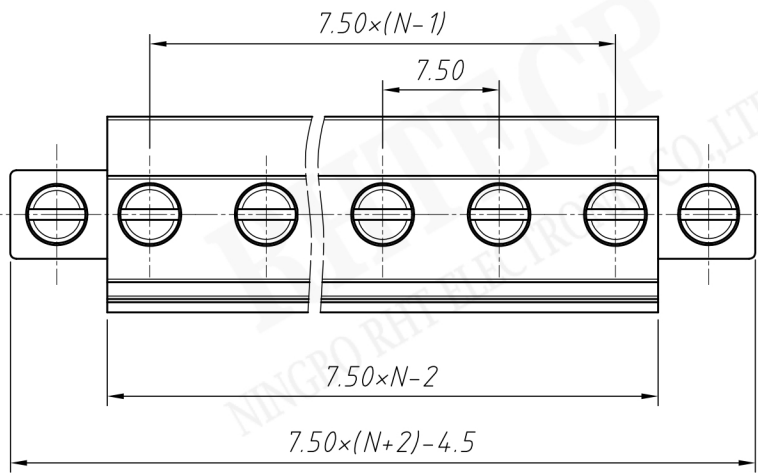
RE - C - EDKAM - 7.62 - XXP - 4 S 00



UNITS:mm	SHEET SIZE:A4		SCALE: ---
> 0~ 3	> 3~ 18	> 18~ 50	> 50~ 120
± 0.12	± 0.15	± 0.3	± 0.5



- Material**
- Housing:** PA66, UL94V-0
- Cage:** Brass, Ni plated
- Screws:** M3.0, Steel, Zn plated
- Fixing screws:** M2.5 Steel Zn plated
- Clamp:** Phosphor bronze, Ni plated
- Electrical**
- Rated voltage:** 300V
- Rated current:** 15A
- Contact Resistance:** 20 mΩ
- Insulation resistance:** 500MΩ/DC500V
- Withstand voltage:** AC2000V / 1 min
- Wire Range:** 28~14AWG 1.5mm<sup>2</sup>
- Mechanical**
- Temp. Range:** -40 °C ~ +105 °C
- Strip length:** 7~8mm
- Torque:** 0.5Nm(4.5Lbin)



**Order Information**

RE - C - EDKAM - 7.50 - XXP - 4 S 00

RoHS

Terminal Block

Pitch

No. of Pole

Color: 4- Green

Screw: S-Slot Screw C-Cross Screw

Product Code: 00~99

UNITS:mm	SHEET SIZE:A4		SCALE: ---	First angle projection <b>TERMINAL BLOCK</b>
> 0~3	> 3~18	> 18~50	> 50~120	
± 0.12	± 0.15	± 0.3	± 0.5	