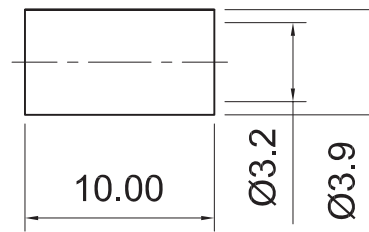
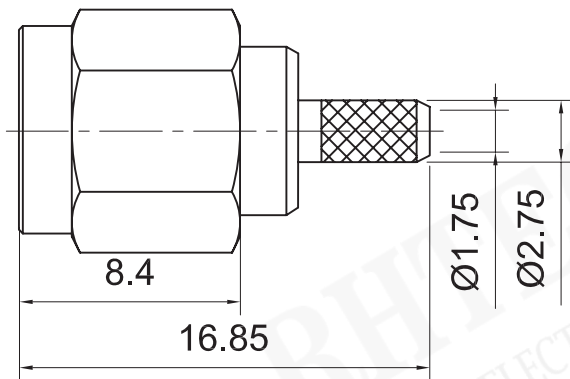
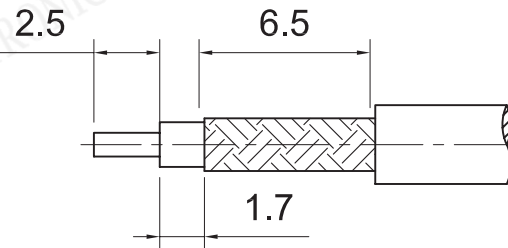




### RECOMMENDED CABLE STRIPPING DIM'S



### SMA Connector Series

#### RE-C-SMA005 SMA Connector Series

##### Electrical Specifications

Impedance: 50 Ω

Frequency Range

Semi-rigid cable: 0-18 GHz

Flexible cables: 0-12.4 GHz

Voltage Rating : 335 volts rms.

Dielectric Withstanding Voltage : 500 volts rms.

VSWR :

1.15 +0.02 f (GHz) for Straight connector typical

1.25 +0.025 f (GHz) for Right angle connector typical

Contact Resistance: Center contact: 2.0 mΩ

Body: 2.0 mΩ

Insulation Resistance: 5,000 MΩ

##### Mechanical Specifications

Mating: 1/4"-36 UNS thread coupling

Cable retention: 6kgf typical

Durability: 500 Cycles Min.

Coupling nut retention: 18kgf Min.

Temperature Range: - 55°C to +155°C

##### Material

Connector body: Brass per QQ-B-626 ,gold Plating or nickel

Center contact Male: Brass, gold Plating

Center contact Female: Beryllium copper, gold Plating

Insulator: PTFE

Gasket: Silicone rubber

Crimp Ferrule: Annealed copper

Cable Group: RG-316, 174, 188; Q1, D316

### ORDER INFORMATION

Product NO.: RE-C-SMA005

Pos. NO. \_\_\_\_\_

SMA Connector Type \_\_\_\_\_