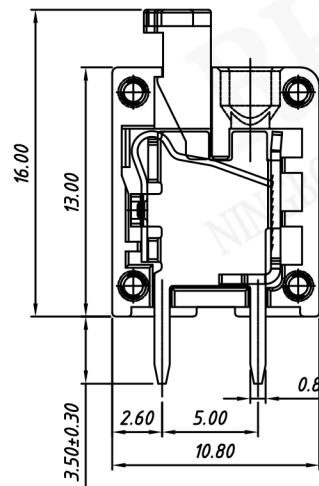
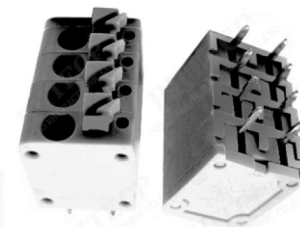


PCB LAYOUT



SECTION A-A



Material

Housing: PA66, UL94V-0

Pin header: Brass, Tin plated

Wire guard: Stainless steel

Electrical

Rated voltage: 300V

Rated current: 8A

Wire range: 22~16AWG 1.5mm²

Contact Resistance: 20 mΩ

Insulation resistance: 500MΩ/DC500V

Withstand voltage: AC2000V / 1min

Mechanical

Temp. Range: -40 °C ~ +105 °C

Soldering: 250°C±5°C for 5S

Strip length: 9~10mm

Order Information

RE - C - 236 - 3.81 - XXP - 1 xx

RoHS

Terminal Block

Pitch

No. of Pole

Product Code:00~99

Color: 1-Gray