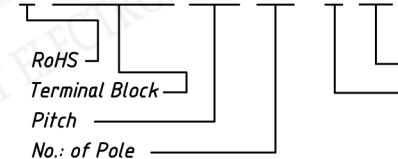


Material  
 Housing: PA66, UL94V-0  
 Pin header: Brass, Tin plated  
 Wire guard: Stainless steel

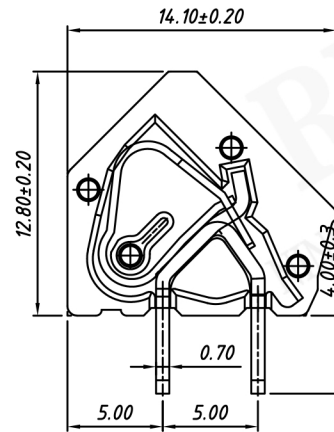
Electrical  
 Rated voltage: 300V  
 Rated current: 10A  
 Wire range: 26 ~ 14AWG 1.5mm<sup>2</sup>  
 Contact Resistance: 20 mΩ  
 Insulation resistance: 500MΩ/DC500V  
 Withstand voltage: AC2000V / 1 min  
 Mechanical  
 Temp. Range: -40 °C ~ +105 °C  
 Soldering: 250 °C ± 5 °C for 5S  
 Strip length: 5 ~ 6 mm

Order Information

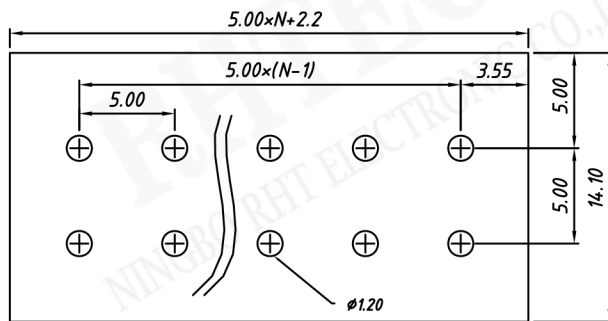
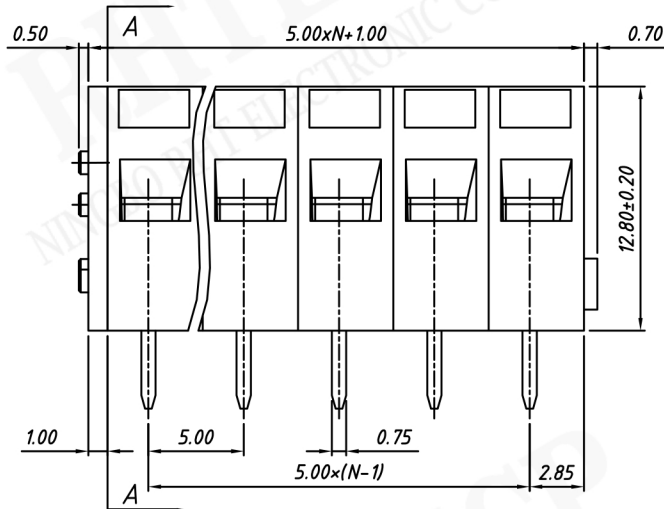
RE - C-206-5.00-XXP-1 xx



Product Code: 00 ~ 99  
 Color: 1-Gray  
 5-Orange



SECTION A-A



PCB LAYOUT