



## WURTH 7499010003A alternative

Modular Connector, RJ45 Jack, 1 x 1 (Port), 8P8C, Through Hole Mount



Part No. CM311104A5079-LF



# SPECIFICATION APPROVAL

CUSTOMER :            BEC Distribution

PRODUCT :            CM311104A5079-LF

Pb-free

CODE NO. :            C07711044

CUS. CODE :

SPEC.NO. :            C-7711-044(00)

DATE :                17-Jul-20

CUSTOMER APPROVAL

**BEC DISTRIBUTION Ltd.**

www.bec.co.uk

email: [sales@bec.co.uk](mailto:sales@bec.co.uk)

Phone: +44(0)1844 275824

PREPARED BY	APPROVED BY	AUTHORIZED BY
JEAN	TONY	MASCOT

# WURTH 7499010003A alternative

Modular Connector, RJ45 Jack, 1 x 1 (Port), 8P8C, Through Hole Mount



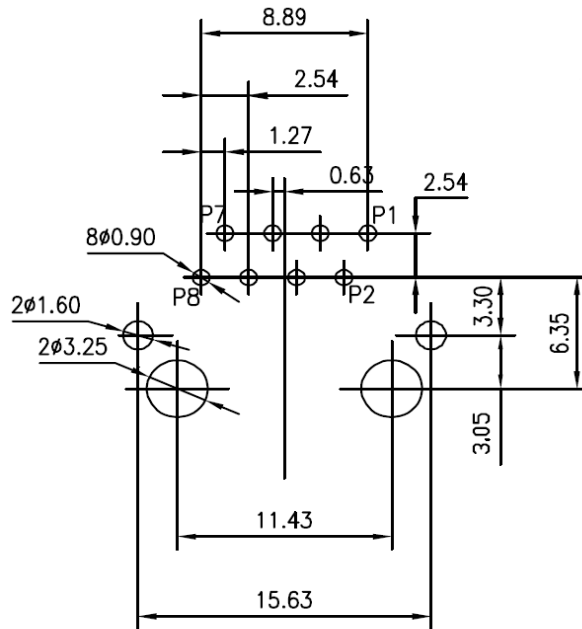
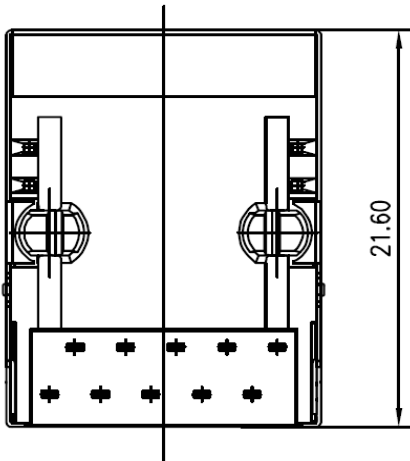
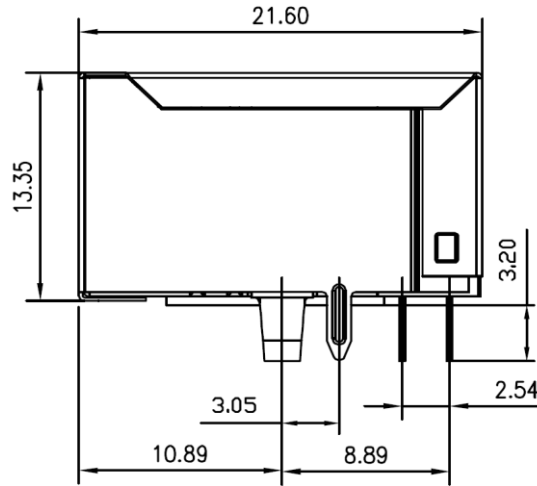
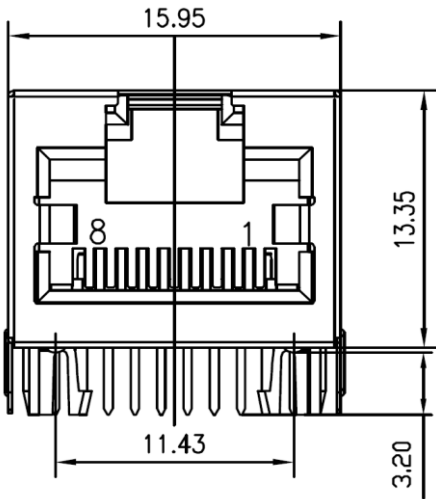
PRODUCT	CM311104A5079-LF	COIL SPECIFICATION	DATE	2020/7/17
SPEC.NO.	C-7711-044(00)		CODE NO.	C07711044

### EXTERNAL DIMENSIONS :

1\*1 Port RJ45 Jack

With 10/100 Base-T Magnetics Module

Meets IEEE802.3af standards



PCB Recommend layout seen from component side

Marking : 311104A50'

CME YYWW(date code)

Housing: Thermoplastic UL94 V-0

Contact plating : Gold 6 micro-inches min. in contact area.

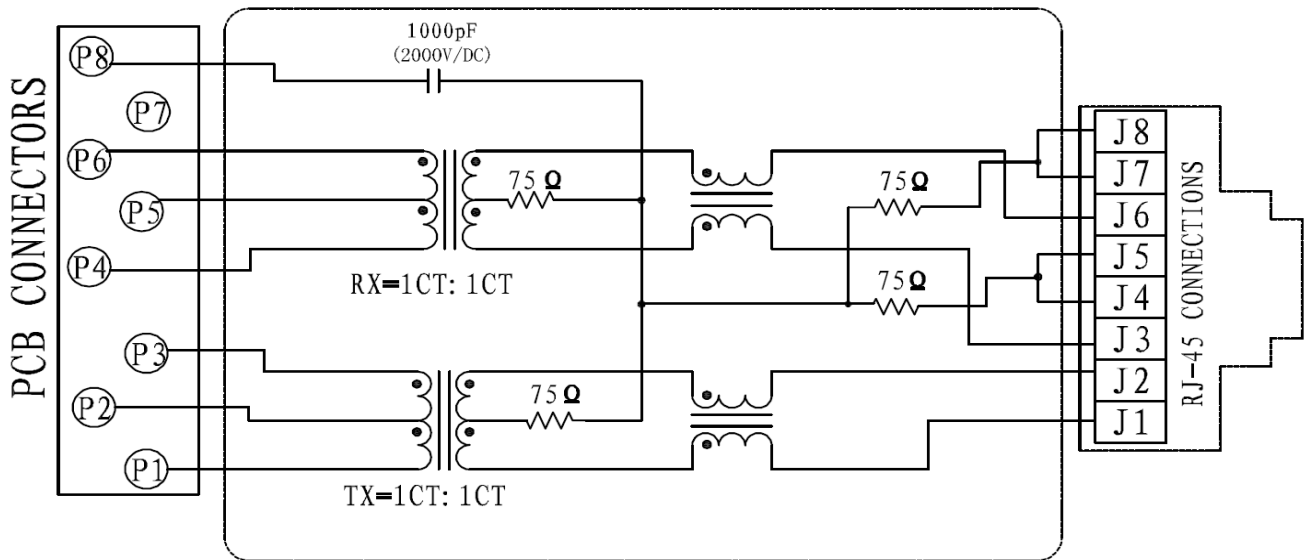
Durability: 800 mating Min

PRODUCT	CM311104A5079-LF	COIL SPECIFICATION	DATE	2020/7/17
SPEC.NO.	C-7711-044(00)		CODE NO.	C07711044

**ELECTRICAL CHARACTERISTIC : @25°C**

Insertion Loss : 1-100MHz -1.2dB MAX  
 Return Loss : 1-30MHz -18dB MIN  
                   30-60MHz -14dB MIN  
                   60-80MHz -12dB MIN  
 Cross Talk : 1-100MHz -30.0dB MIN  
 Hipot : 1500V AC (Input to Output)  
 CMR : 1-100MHz -30.0dB MIN  
 OCL :350uH @100KHz 100mV 8mA  
 Operating Temperature: -40°C ~ 85°C  
 Storage Temperature: -40°C ~ 85°C

**SCHEMATIC DRAWING :**

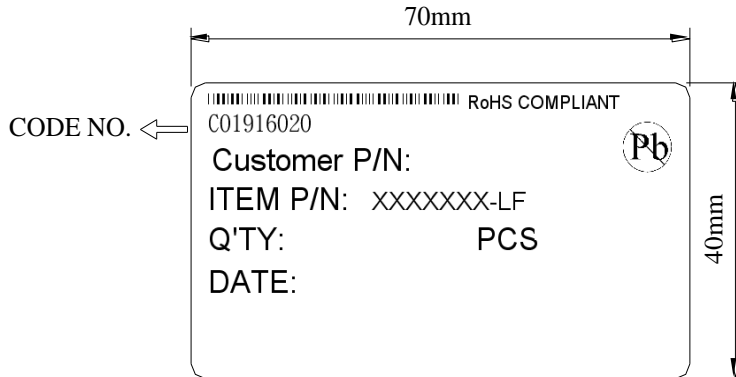


**WURTH 7499010003A alternative**

Modular Connector, RJ45 Jack, 1 x 1 (Port), 8P8C, Through Hole Mount

<b>PRODUCT</b>	<b>CM311104A5079-LF</b>	<b>COIL SPECIFICATION</b>	<b>DATE</b>	<b>2020/7/17</b>
<b>SPEC.NO.</b>	<b>C-7711-044(00)</b>		<b>CODE NO.</b>	<b>C07711044</b>

**TABLE :**



INNER BOX LABEL



OUT BOX LABEL

# WURTH 7499010003A alternative

Modular Connector, RJ45 Jack, 1 x 1 (Port), 8P8C, Through Hole Mount



<b>PRODUCT</b>	<b>CM311104A5079-LF</b>	<b>COIL SPECIFICATION</b>	<b>DATE</b>	<b>2020/7/17</b>
<b>SPEC.NO.</b>	<b>C-7711-044(00)</b>		<b>CODE NO.</b>	<b>C07711044</b>

## Cautions and Warnings :

1. All of the components are manufactured, designed, and promoted for applying in general electronics devices, for the specific area such as automotive, medical, military and aerospace except for general electronic devices,

BEC Distribution must be asked for written approval before incorporating the components into these areas.

2. The components that will be used in high-reliability / high level of safety applications should be pre-evaluated by the end customer.

Especially in customer applications in which the malfunction or failure of an electronic component could endanger human life or health.

The customer shall be responsible for evaluating and confirming the product is suitable for use in customer's applications.

3. Customer must be cautioned to verify that data sheets are the updated ones before placing orders. In the individual cases, any trouble or failure of electronic components happens during their long span cannot be eliminated even follow the instruction with existing technology.

4. Washing / Cleaning process may jeopardize the product and cause the defect. Washing agents may harm the long-term functionality of the product

5. The storage period should not be longer than 12 months (In the specific storage environment). The oxidization may happen on the terminals.

Hence all the products shall be used within 12 months after the shipping date. If the time is over 12 months, please check the solderability before use it.

6. Products should not be kept in unsuitable storage conditions, such as areas susceptible to high humidity, high temperatures, dust or corrosion.

7. Don't touch electrodes directly with bare hands as oil secretions may inhibit soldering. Always ensure optimum conditions for soldering.

8. Don't bend the terminals or subject them to excessive stress.

9. Please ensure that all terminals and case lugs are completely fixed with solder onto PCB

10. Ensure the tuning slug or cap is not fixed by solder flux during the production process.

11. Avoid placing coils near the edge of the PCB

12. Don't touch any exposed winding part and avoid coming into contact with the guide of the electrode in automatic mounting

13. The inductor / coil / common mode choke generates heat when current is applied. Please take care of this during the design.

14. Always handle the product with care to prevent the damage.

15. Our specification specifies the quality of the component as a single unit. Please ensure the component is thoroughly evaluated in your application circuit.

Even for customized products, conclusive validation of the component in the circuit can only be carried out by customer.

16. The general testing condition is in the room temperature 25 +/- 5°C and humidity under 65% RH, which is applied to all products.

17. If have any query, please feel free to contact our sales department.