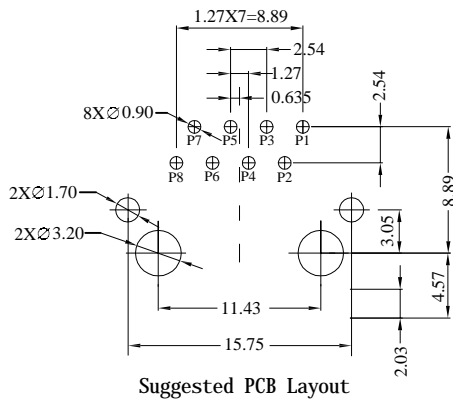
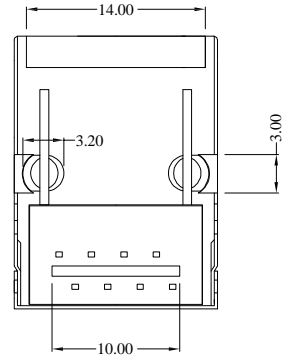
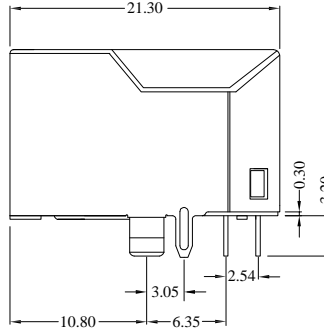
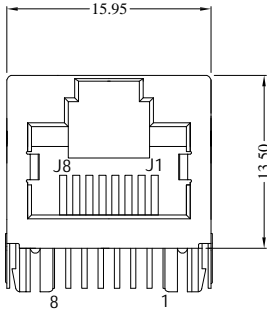




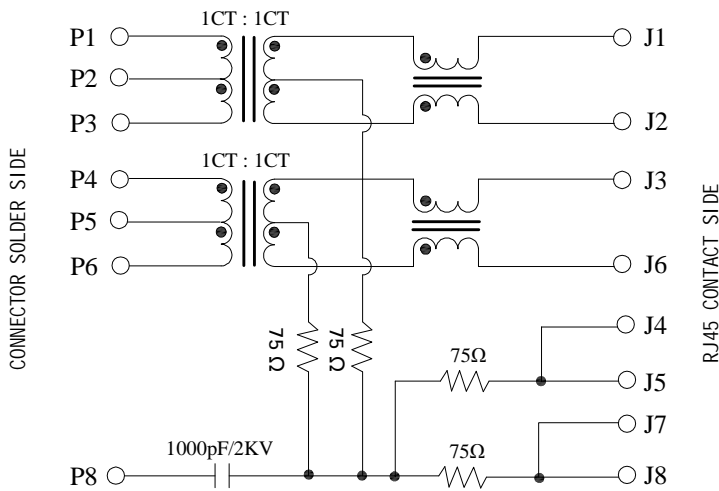
# WURTH 7499010003A alternative

Modular Connector, RJ45 Jack, 1 x 1 (Port), 8P8C, Through Hole Mount



### NOTES:

1. Designed to support application, such as SOHO(ADSL modems), LAN-on-Motherboard(LOM), hub and switches.
2. Meets IEEE 802.3 specification.
3. Connector Materials:  
 Housing: Thermoplastic UL94V-0  
 Contact/Shield: Copper alloy  
 Shield plating: Nickel  
 Contact plating: Gold 6 micro-inches min. In contact area.
4. Wave solder tip temperature: 265 °C  
 Wave solder tip temperature time: 5 Sec Max



### ELECTRICAL SPECIFICATIONS @25°C:

1. Turn Ratio: 1CT: 1CT ±3%
2. OCL: 350uH MIN @ 100KHz 100mV, 8mA DC
3. Insertion Loss: 1-100MHz: -1.0dB MAX
4. Return Loss(dB MIN):  
 1-10MHz: -18      10-30MHz: -16  
 30-60MHz: -12      60-80MHz: -10
5. Cross Talk(dB MIN):  
 1-30MHz: -30
6. Common Mode Rejection (dB MIN):  
 1-100MHz: -30
7. Hi -Pot: 1500Vac 60s or 2250Vdc 60s
8. Operating temperature range: -40°C TO +85°C

Dimensions in mm . Unless otherwise specified, Tolerance: xx ±0.25

Part Number	<b>TITLE:</b> RJ45 Connector 1x1 Port Without LED With 10/100 Base-T Magnetic Module	Rev: A	DRAW: AJ. Yang	Date: 2016. 06. 28
ZHBC111012NN		Page: 1/1	APPD: SJ. Li	Date: 2016. 07. 28