

Recommended P.C.B Layout (Top Side)  
(PCB BOARD TOLERANCE±0.05)

**Material:**  
Housing: PA6T, UL94V-0  
Contact: Brass  
Plating: Gold flash plated

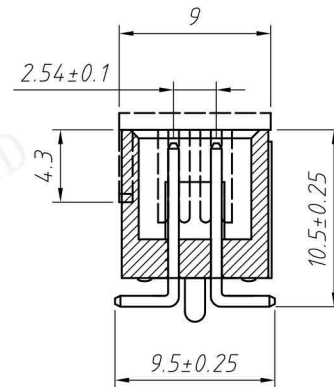
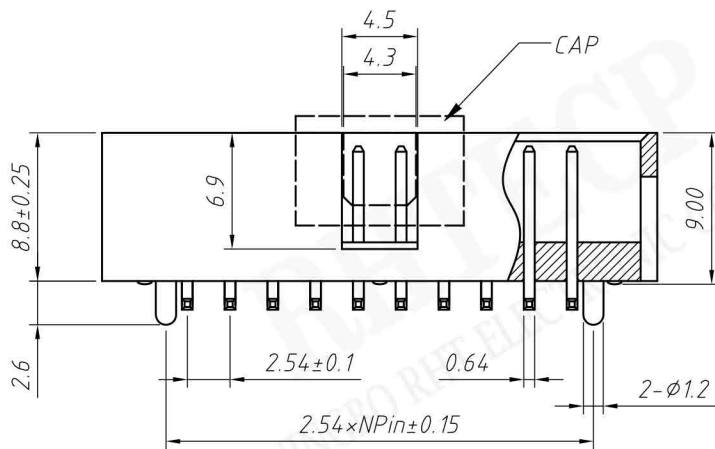
**Electrical Characteristics:**  
Rated Current: 3.0AMP  
Contact Resistance: 20mΩ Max  
Withstand Voltage: 1000V AC/DC  
Insulator Resistance: 1000MΩ Min

**Mechanical**  
Operating Temperature: -40°C ~ +105°C  
Max. Processing Temp: 230°C for 30-60 seconds (260°C for 10 seconds)

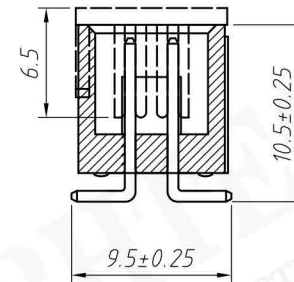
**Order Information:**

RE - C - 202 - XX - T - B - B - T

L: RoHS  
Box Header Series  
202: 2.54mm Pitch  
XX: No. of 06 ~ 64 pins  
SMT: T=Without Post  
T3=With Post  
Color: B-Black G-Gray  
Material: B=PA6T  
Packing:  
T=Tube P=Tube+Cap R=Reel+Cap

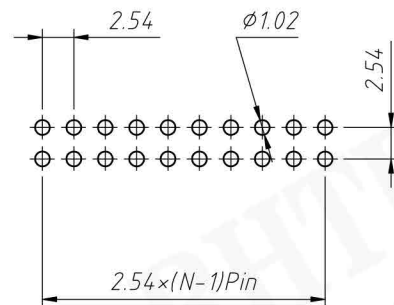
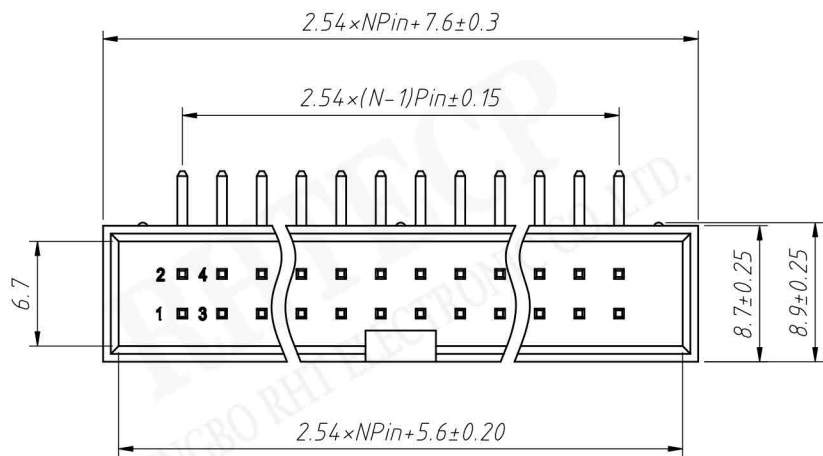


T3=With Post



T=Without Post

UNITS:mm	SHEET SIZE:A4		SCALE: ---
> 0 ~ 3	> 3 ~ 18	> 18 ~ 50	> 50 ~ 120
± 0.12	± 0.15	± 0.3	± 0.5

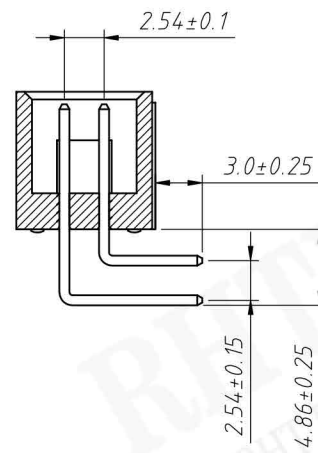
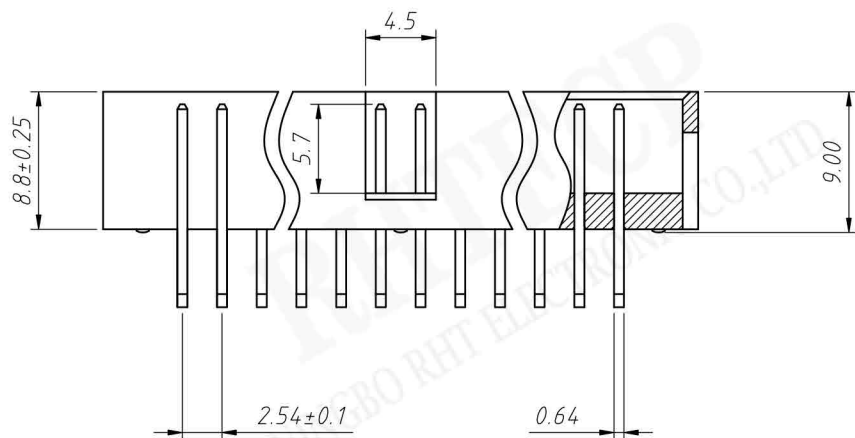


Material:  
Housing: PBT, UL 94 V-0  
Contact: Brass  
Plating: Gold flash plated

Electrical Characteristics:  
Rated Current: 3.0AMP  
Contact Resistance: 20mΩ Max  
Withstand Voltage: 1000V AC/DC  
Insulator Resistance: 1000MΩ Min

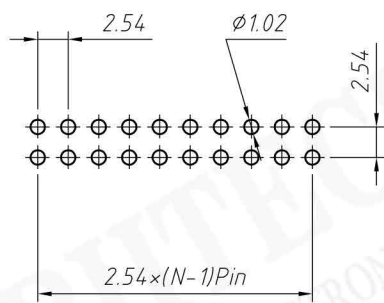
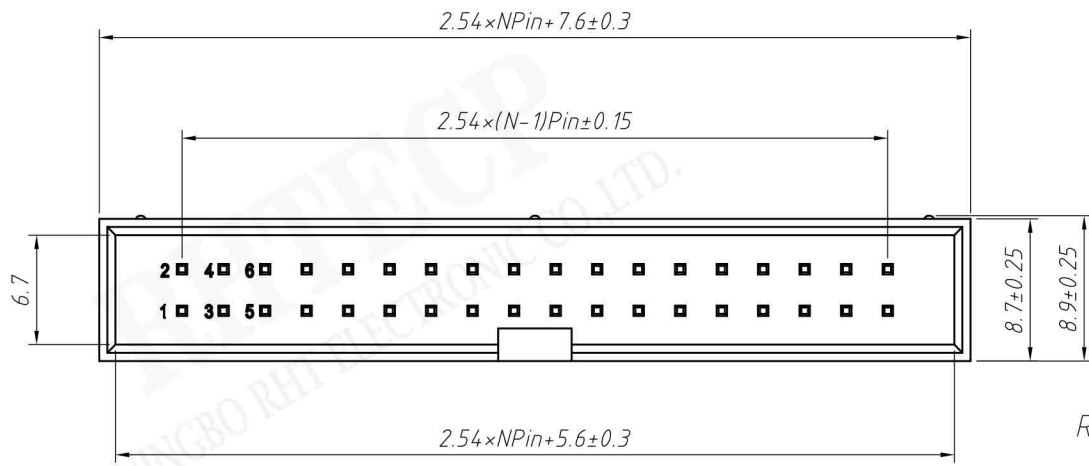
Recommended P.C.B Layout (Top Side)  
(PCB BOARD TOLERANCE ± 0.05)

Mechanical  
Operating Temperature: -40°C ~ +105°C  
Max. Processing Temp: 180°C for 30-60 seconds (200°C for 10 seconds)



Order Information:

RE - C - 202 - XX - R - B - □  
L: RoHS  
Box Header Series  
202: 2.54mm Pitch  
XX - No. of 06 ~ 64 pin  
Type: S - Straight pin  
R - Right Angle Pin T - SMT  
Color: B - Black G - Gray  
Material: NONE = PBT B = PA6T

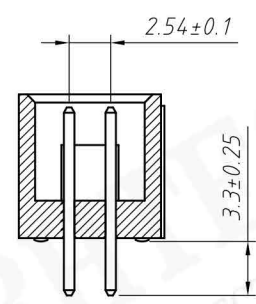
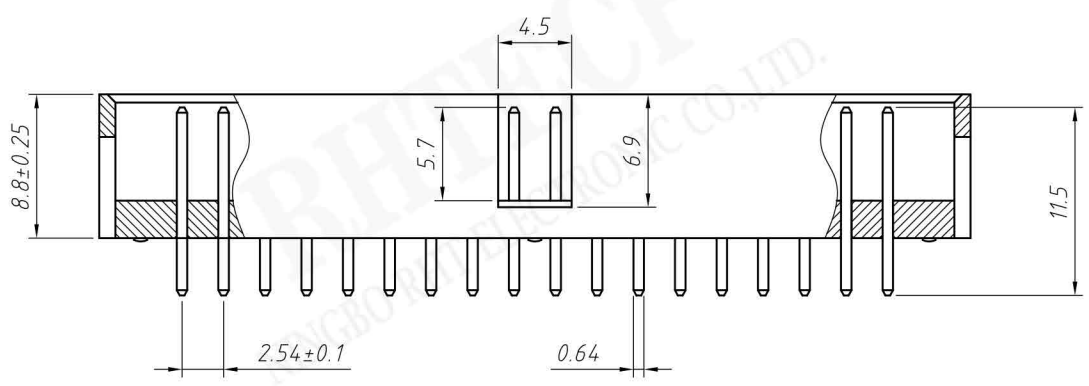


Recommended P.C.B Layout (Top Side)  
(PCB BOARD TOLERANCE±0.05)

**Material:**  
Housing:PBT,UL94V-0  
Contact:Brass  
Plating:Gold flash plated

**Electrical Characteristics:**  
Rated Current: 3.0AMP  
Contact Resistance: 20mΩ Max  
Withstand Voltage: 1000V AC/DC  
Insulator Resistance: 1000MΩ Min

**Mechanical**  
Operating Temperature: -40°C ~ +105°C  
Max.Processing Temp:180°C for 30-60 seconds (200°C for 10 seconds)



**Order Information:**

RE - C - 202-XX-S-B-□  
L: RoHS  
Box Header Series  
202:2.54mm Pitch  
XX-No.of 06 ~ 64 pin  
Type:S-Straight pin  
R-Right Angle Pin T-SMT  
Color:B-Black G-Gray  
Material:NONE=PBT B=PA6T

UNITS:mm	SHEET SIZE:A4		SCALE: ---
> 0 ~ 3	> 3 ~ 18	> 18 ~ 50	> 50 ~ 120
± 0.12	± 0.15	± 0.3	± 0.5