

**Material**

Screw: M3.0, steel, Zn plated

Cage: Brass, Nickel plated

Pin header: Brass, Tin plated

Housing: PA66, UL94V-0, Green

**Electrical**

Rated voltage: 300V

Rated current: 30A

Wire range: 24~10AWG 4mm<sup>2</sup>

Contact Resistance: 20 mΩ

Insulation resistance: 500MΩ/DC1000V

Withstand voltage: AC2000V / 1 min

**Mechanical**

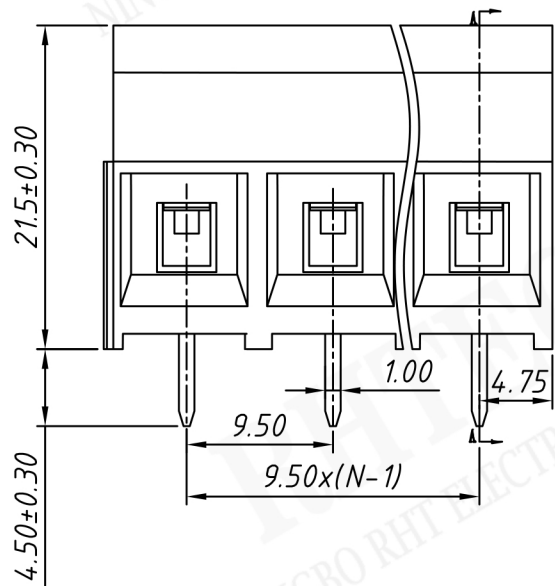
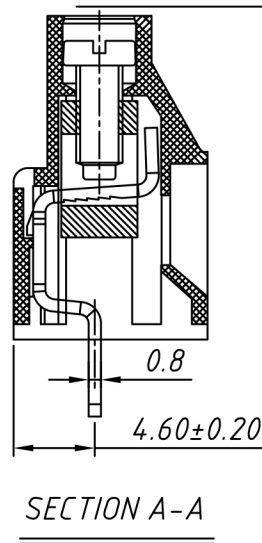
Temp. Range: -40 °C ~ +105 °C

Soldering: 250 °C 5Sec. Max.

Torque: 0.5 Nm (4.43 Lb.) in

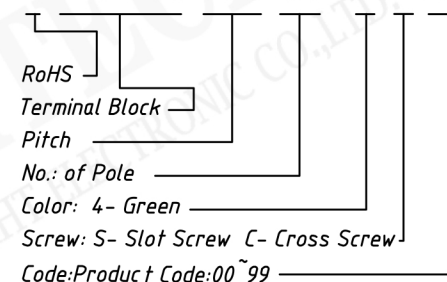
Strip length: 6~7 mm

**PCB LAYOUT**



**Order Information**

RE - C - 150 - 9.50 - XXP - 4 S XX



NINGBO RHT ELECTRONIC CO., LTD

UNITS:mm

SHEET SIZE:A4

SCALE: ---



> 0~3

> 3~18

> 18~50

> 50~120

± 0.12

± 0.15

± 0.3

± 0.5

TERMINAL BLOCK