

SPECIFICATION FOR APPROVAL



CUSTOMER:

VYDENCE MEDICAL

CUSTOMER P/N :

7448062603

PART NUMBER :

NCMC402416-302

DESCRIPTIONS:

CMC INDUCTOR (ROHS)

ATTACHMENT:

- SPECIFICATIONS
- DATA SHEET
- SAMPLE Q'TY OF SAMPLES 5 PCS

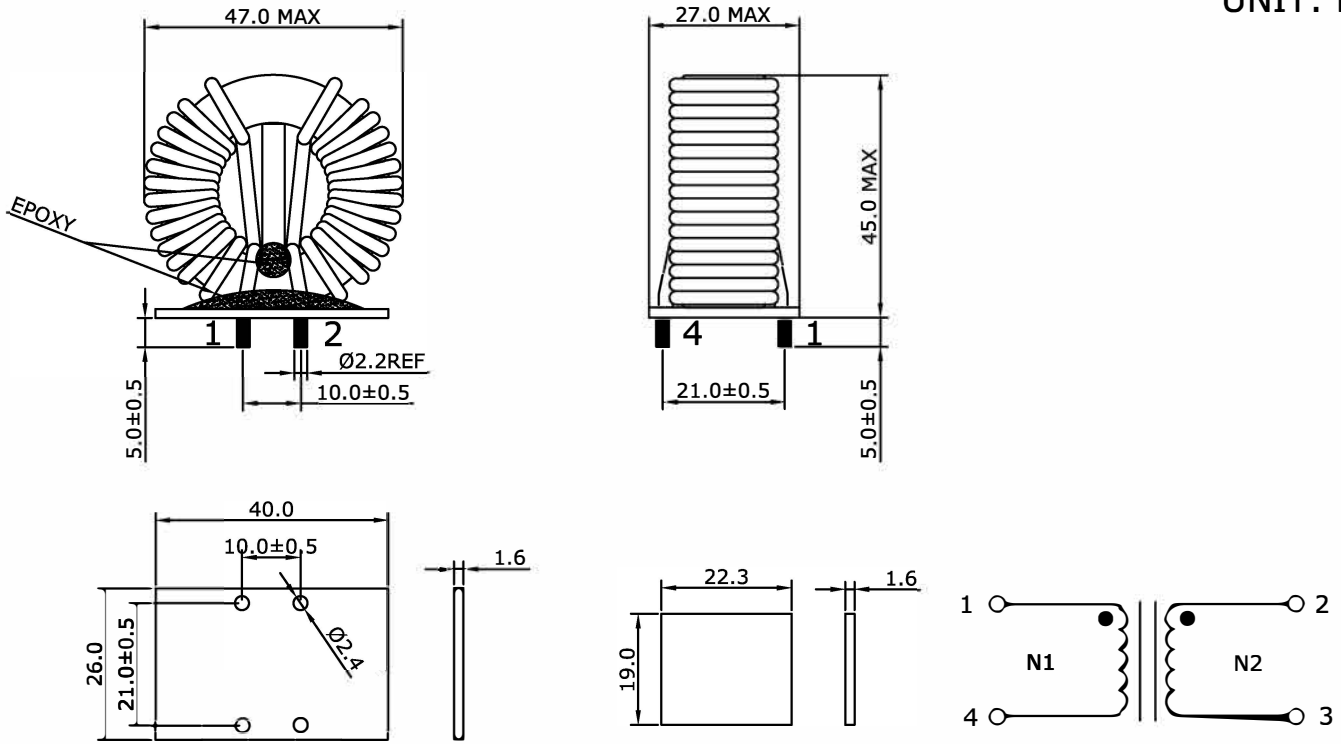
BEC Distribution Limited		APPROVAL SIGNATURE (客户承认签章)
PREPARED 制作	<i>Zh Jiang</i>	
CHECKED 检查	<i>Ming Xiang</i>	
APPROVED 审核	<i>Zh Tong</i>	
日期 DATE: 2022-05-16		日期 DATE:

SPECIFICATION FOR APPROVAL

Operating Temperature: -40 up to +125°C
Storage Conditions: <40°C <75% RH

REV.	DESCRIPTIONS	DATE

UNIT: mm



ELECTRONICAL CHARACTERISTICS:

1. INDUCTANCE (N1=N2) : 3.0 mH +50%/-30% @10.0KHZ/0.1mA
2. RATED CURRENT: 26.0A @70°C
3. DC RESISTENCE (N1=N2) : 4.5 mΩ MAX @20°C
4. RATED VOLTAGE: 250 VAC MAX @50Hz
5. HI-POT: 1.5KV(AC) 5mA 2sec 50Hz @WIND TO WIND

NOTES:

1. CORE: T40*24*16-C R12K
2. WIRE: $\varnothing 2.2$ mm 1PEW 13TS REF
3. BASE: FR4 40.0x26.0x1.6mm (10.0*21.0)/22.3*19*1.6
4. EPOXY: G-9007 BLACK

PREPARED BY:		DRAWING		PART		REV.
CHECKED BY:		TITLE	CMC INDUCTOR	NUMBER	NCMC402416-302	A
APPROVED BY:		TOLERANCES:	.x±0.5 .xx±0.10 .xxx±0.050		SHEET 1 OF 1	