

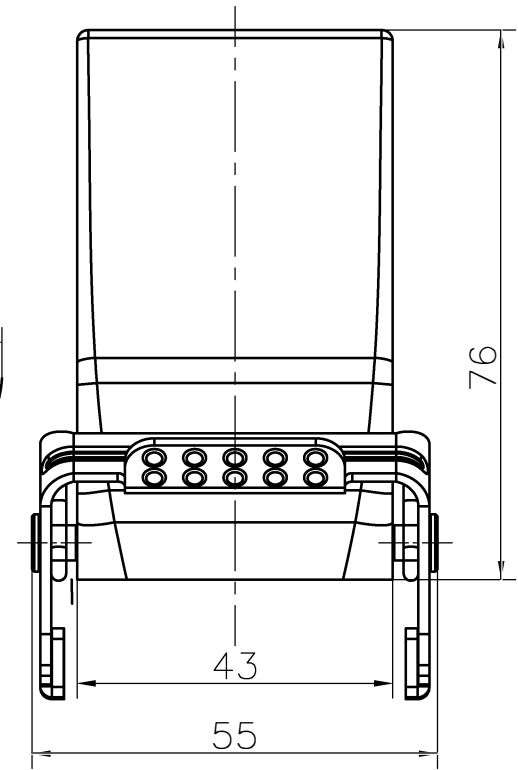
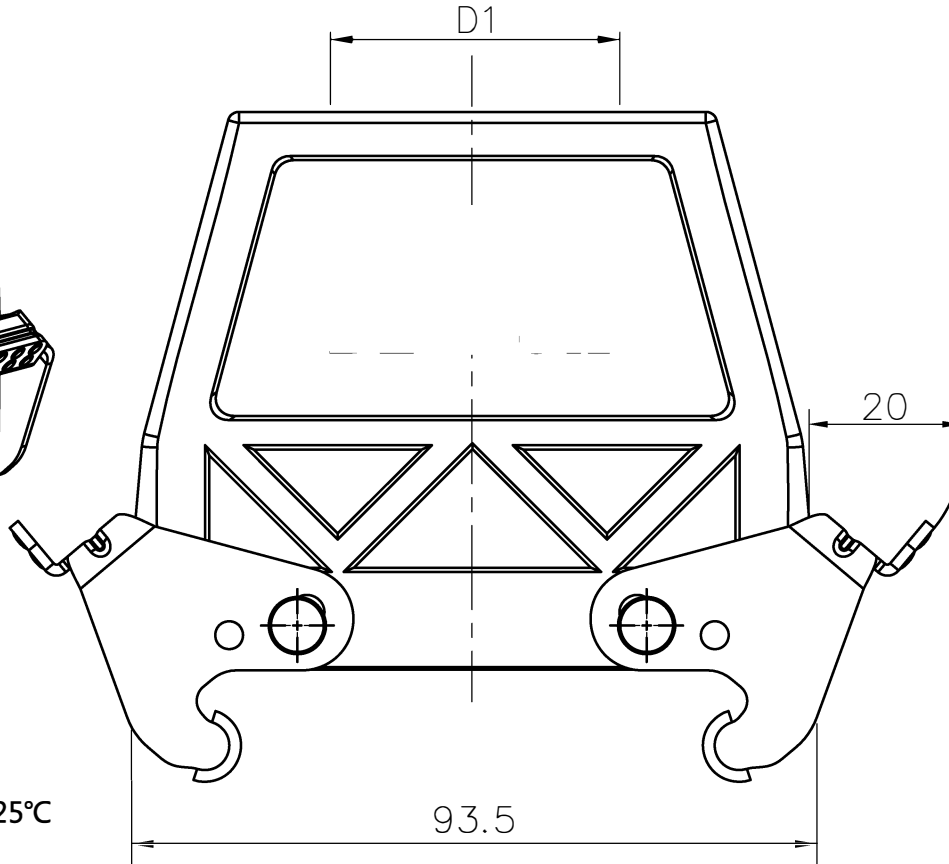
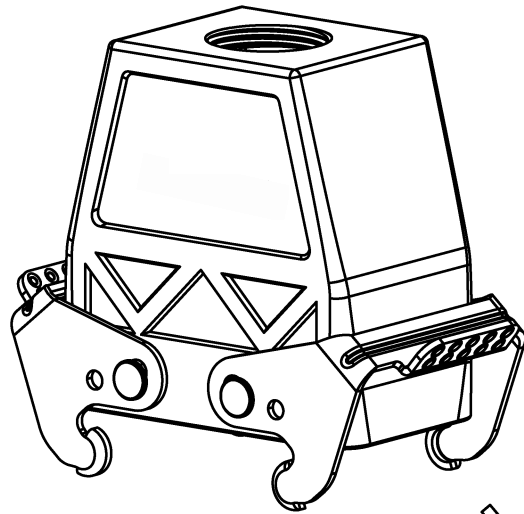
TYPE	Thread(D1)	Selection
BECB-TEH-2L-M32	M32	
BECB-TEH-2L-M40	M40	
BECB-TEH-2L-PG21	PG21	
BECB-TEH-2L-PG29	PG29	

Harting 19 30 016 0537 alternative

Heavy Duty Connector, Coupler, M32 Side Entry, High Profile, Hood, Side Entry, Aluminium Body



REVISION RECORD				
REV	ECN	DESCRIPTION	DRFT	DATE



Hoods Feature

1. Material: aluminium die-cast
2. Surface: Powder-coated
3. Color: grey (RAL 7037)
4. Material: Metal (Lever)
5. Limiting temperatures: -40°C ~ +125°C
6. Flammability acc to UL94:V0
7. Degree of protection acc.to EN60529 for coupled connector :IP65
8. Rohs compliance

www.bec.co.uk

more info: sales@bec.co.uk

DETACHED LISTS	PART NO.:	/			BEC Distribution Ltd.	
	APPD:					
	CHKD:	NAME: BECB-TEH-2L-M/PG				
	DRFT: Mr.yang 2017/06/28	TITLE: CUSTOMER DRAWING	REV	DO-1		
 THIRD ANGLE PROJECTION		DRAWING NO.:	SHEET	1/1		
 MM / INCH		DO NOT SCALE DRAWING	SCALE	1:1		