

REV	CONTENT	CHK	DATE
V0.0	CONTENT	EXL	21.01.12

Phoenix 1713854 Alternative

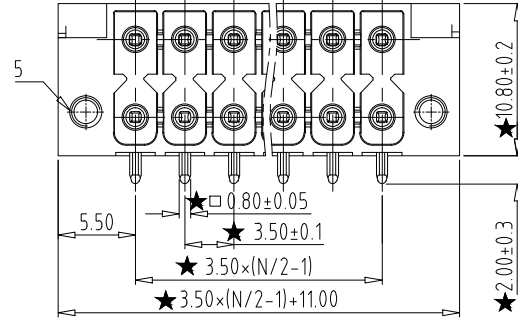
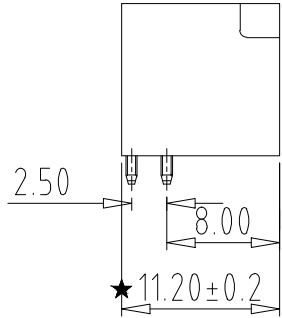
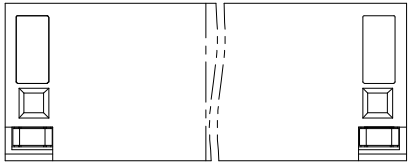
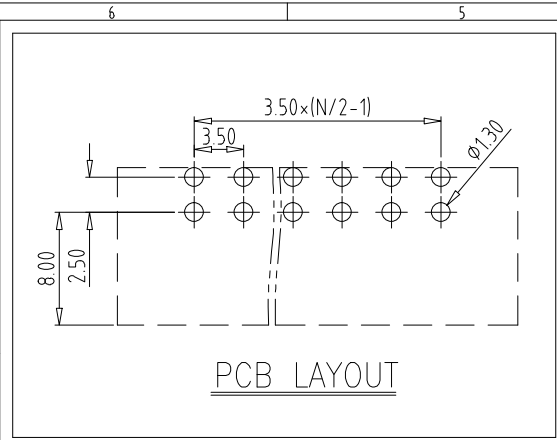
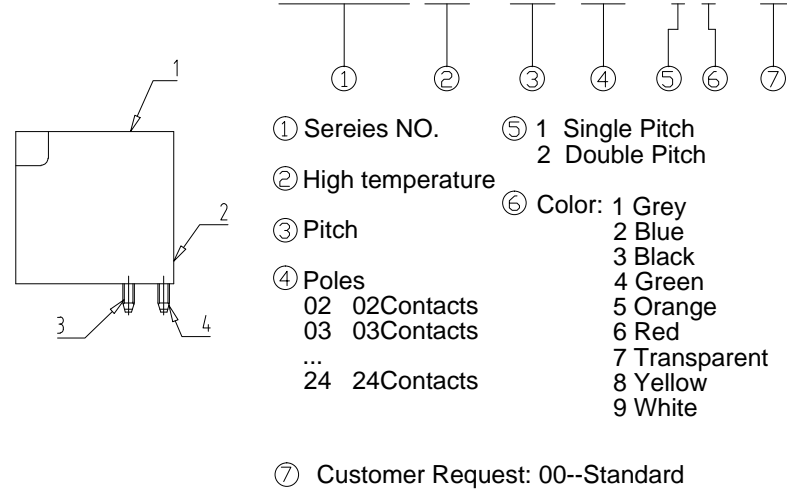
Pluggable Terminal Blocks
DMC 1,5/11-G1F- 3,5-LR
P26THR



Electrical :

- | | | |
|---|---------------|------|
| | UL | IEC |
| 1. Rated Voltage : | 150V | 160V |
| 2. Rated Current : | 8A | 8A |
| 3. Withstanding Voltage : | AC1300V/1Min. | |
| 4. Operating Temperature : | -40 °C~+105°C | |
| 5. RoHS Compliance | | |
| 6. Safty Approval : | | |
| 7. "★" is the key quality control point | | |

Phoenix 1713854 Alternative -THR - 3.5 -XXP - X X - 00



PCB header - DMC 1,5/11-G1F-3,5-LR P26THR

Total Pitch Tolerances in mm										Nominal dimension range in mm										⊥	=	-	//		
over 0	over 30	over 53	over 70	over 90	over 115	over 150	over 250	over 350	over 500	over 0	over 30	over 53	over 70	over 90	over 115	over 150	over 200	over 250	over 320	over 0	over 10	all	over 0	over 100	over 150
to 30	to 53	to 70	to 90	to 115	to 150	to 250	to 350	to 500		to 30	to 53	to 70	to 90	to 115	to 150	to 200	to 250	to 320		to 10			to 100	to 150	
±0.18	±0.20	±0.25	±0.3	±0.35	±0.4	±0.60	±0.70	±0.85	±0.20	±0.25	±0.30	±0.35	±0.4	±0.44	±0.55	±0.70	±0.80	±0.90	0.2	0.3	0.3	0.2	0.3	0.5	



5	NUT	XX	2	STEEL	Zn Plated
4	SHORT-PIN	XX	P/2	BRASS	Tin Plated
3	SHORT-PIN	XX	P/2	BRASS	Tin Plated
2	PATCH	XX	1	LCP UL94V-0	SEE NOTE
1	HOUSING	XX	1	LCP UL94V-0	SEE NOTE
ITEM	NAME OF PART	NO. OF PART	Q'TY	MATERIAL	NOTE
DWG.	CXL	DATE	21.01.12	SIZE	A4 UNITS mm SHEET/OF 1 / 1
CHK.	DATE			SCALE	1:1
APP.	DATE			NAME	Phoenix 1713854 Alternative
				DWGNO.	XXXX