


# Phoenix 1790577 Alternative

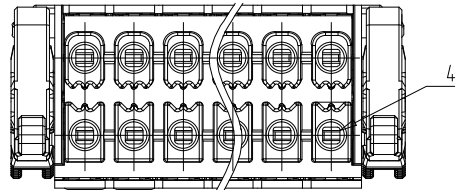
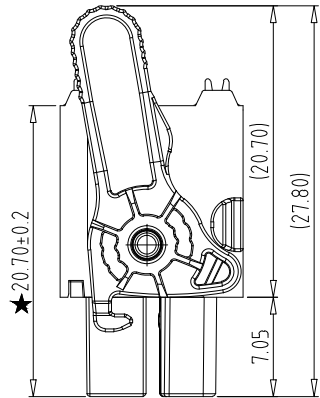
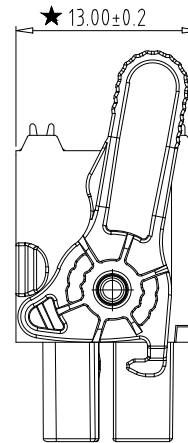
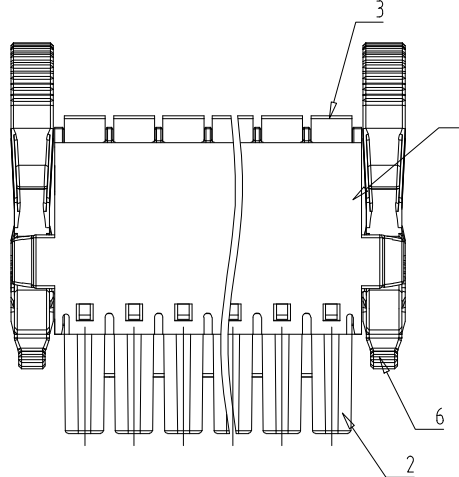
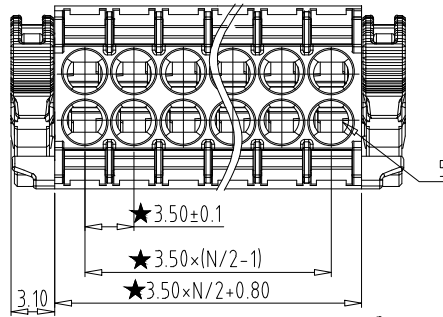
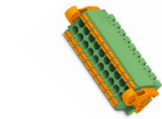
Pluggable Terminal Blocks 11  
Pos 3.5mm Dbl Row  
Plug 24-16AWG Sprin

REV	CONTENT	CHK	DATE
V0.0	CONTENT	EXL	21.01.12

- Electrical :**
- |   |   |                        |
|---|---|------------------------|
|   | UL  | IEC                    |
| 1. Rated Voltage :                      | 150V  | 160V                   |
| 2. Rated Current :                      | 8A  | 8A                     |
| 3. Wire Range:                          | 24-16AWG  | 0.2-1.5mm <sup>2</sup> |
| 4. Stripping Length :                   | 9-10mm  |                        |
| 5. Withstanding Voltage :               | AC1600V/1Min.   |                        |
| 6. Operating Temperature :              | -40 °C~+105 °C  |                        |
| 7. RoHS Compliance                      |   |                        |
| 8. Safty Approval :                     |  |                        |
| 9. "★" is the key quality control point |   |                        |

Phoenix 1790577 Alternative - 3.5 -XXP - X X - 00

- |              |         |   |                                    |  |                                  |
|--------------|---------|---|------------------------------------|--|----------------------------------|
| ①            | ②       | ③   | ④                                  | ⑤  | ⑥                                |
| ① Series NO. | ② Pitch | ③ Poles<br>02 02Contacts<br>03 03Contacts<br>...<br>24 24Contacts | ④ 1 Single Pitch<br>2 Double Pitch | ⑤ Color: 1 Grey<br>2 Blue<br>3 Black<br>4 Green<br>5 Orange<br>6 Red<br>7 Transparent<br>8 Yellow<br>9 White | ⑥ Customer Request: 00--Standard |



Plug, nominal current: 8 A, rated voltage (III/2): 160 V, number of positions: 11 with 22 contacts, pitch: 3.5 mm, connection method: spring-cage connection, color: green, contact surface: tin

Total Pitch Tolerances in mm										Nominal dimension range in mm										⊥		≡		—		//	
over	over	over	over	over	over	over	over	over	over	over	over	over	over	over	over	over	over	over	over	over	over	over	over	over	over	over	over
0	30	53	70	90	115	150	250	350	500	0	30	53	70	90	115	150	200	250	320	0	10	0	100	0	100	0	150
to	to	to	to	to	to	to	to	to	to	to	to	to	to	to	to	to	to	to	to	to	to	to	to	to	to	to	to
±0.18	±0.20	±0.25	±0.3	±0.35	±0.4	±0.60	±0.70	±0.85	±0.20	±0.25	±0.30	±0.35	±0.4	±0.44	±0.55	±0.70	±0.80	±0.90	0.2	0.3	0.3	0.2	0.3	0.5			



6	CARD HOOK	XX	2	PA66+GF	UL94V-0
5	SPRING	XX	P	STAINLESS STEEL	/
4	CLAMP	XX	P	COPPER ALLOY	Tin Plated
3	BUTTON	XX	P	POM UL94-HB	SEE NOTE
2	COVER	XX	1	PA66 UL94V-0	SEE NOTE
1	HOUSING	XX	1	PA66 UL94V-0	SEE NOTE
ITEM	NAME OF PART	NO. OF PART	Q'TY	MATERIAL	NOTE
DWG.	CXL	DATE	21.01.12	SIZE	A4 UNITS mm SHEET/OF 1 / 1
CHK.	DATE			SCALE	1:1
APP.	DATE			NAME	Phoenix 1790577 Alternative
BEC Distribution Limited				DWGNO.	XXXX