



ECONOMY RANGE

5mm pitch pluggable terminal blocks for vertical or 90° mounting

Product overview

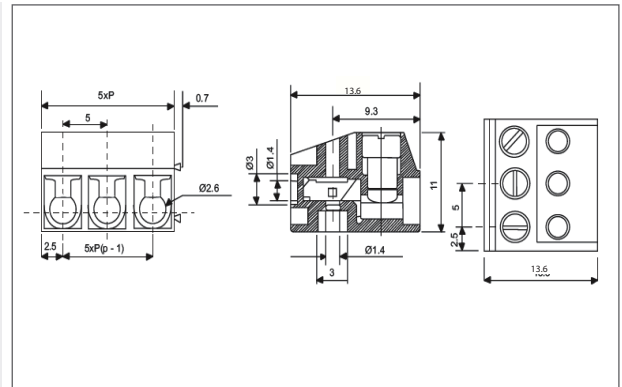
- 2 & 3 pole interlocking
- Moulded in black UL94-V0 PA66 flame retardant PA66
- Wire protector terminals
- Captive screws
- 0.33-2mm² (22-14AWG)
- Guided pin alignment
- approved

SPECIFICATION

Rating	10A 250V
Insulation resistance	5000M Ω /1000V
Withstand voltage	AC1500V/1min
Contact resistance	20m Ω
Working temperature	-33°C to +120°C
Mouldings	UL94-V0 flame retardant PA66
Terminal	Tin plated brass
Wire protector	Tin plated copper
Screw/torque	M2.5 steel, nickel plated 0.4Nm

PART NO.	POLES	LENGTH
CTB1302/2	2	10mm
CTB1302/3	3	15mm
CTB1302/4	4	20mm
CTB1302/5	5	25mm
CTB1302/6	6	30mm
CTB1302/7	7	35mm
CTB1302/8	8	40mm
CTB1302/9	9	45mm
CTB1302/10	10	50mm
CTB1302/11	11	55mm
CTB1302/12	12	60mm

CTB1302



5mm pitch 24 pin strip header

Product overview

- 2 & 3 pole interlocking
- Moulded in black UL94-V0 PA66 flame retardant PA66
- Wire protector terminals
- Captive screws
- 0.33-2mm² (22-14AWG)
- Guided pin alignment
- approved

SPECIFICATION

Rating	10A 250V
Insulation resistance	5000M Ω /1000V
Withstand Voltage	AC1500V/1min
Contact Resistance	20m Ω
Working Temperature	-33°C to +120°C
Mouldings	UL94-V0 flame retardant PA66
Pin	Stainless steel
Recommended PCB hole size	ϕ 1.6mm
Screw/torque	M2.5 steel, nickel plated 0.4Nm

PART NO.	POLES
CTB9502/2	24

CTB1302/PS

