



# 3.5mm pitch pluggable rising clamp terminal blocks

## Product overview

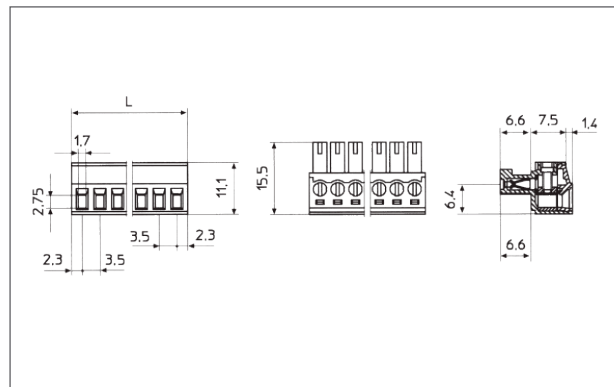
- 2-12 pole solid block
- Up to 20 poles available
- Pluggable male-female connectors
- Professional rising clamp terminals
- Closed headers
- Polarised mouldings
- Moulded in green UL94-V0 flame retardant PA66
- 0.13-1.3mm<sup>2</sup> (26-16AWG) solid & stranded cable
- Captive screws
- Guided pin alignment
- approved

### SPECIFICATION

Rating	10A/200V
Dielectric strength	≥2.5kV
Working temperature	-33°C to +120°C
Moulding	UL94-V0 flame retardant PA
Pin/terminal	Tinned phosphor bronze
Rising clamp	Nickel copper flash brass
Screw/torque	M2 steel tin plated, 0.3Nm
Recommended PCB hole size	ø1.2mm

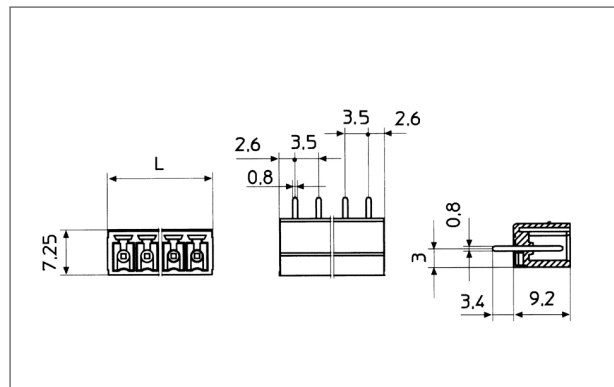
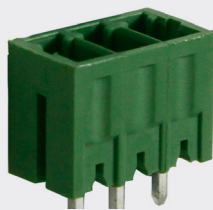
PART NO.	POLES	LENGTH
CTB922HD/2	2	7mm
CTB922HD/3	3	10.5mm
CTB922HD/4	4	14mm
CTB922HD/5	5	17.5mm
CTB922HD/6	6	21mm
CTB922HD/7	7	24.5mm
CTB922HD/8	8	28mm
CTB922HD/9	9	31.5mm
CTB922HD/10	10	35mm
CTB922HD/11	11	38.5mm
CTB922HD/12	12	42mm

CTB922HD



PART NO.	POLES	LENGTH
CTB932VD/2	2	8.4mm
CTB932VD/3	3	11.9mm
CTB932VD/4	4	15.4mm
CTB932VD/5	5	18.9mm
CTB932VD/6	6	22.4mm
CTB932VD/7	7	25.9mm
CTB932VD/8	8	29.4mm
CTB932VD/9	9	32.9mm
CTB932VD/10	10	36.4mm
CTB932VD/11	11	39.9mm
CTB932VD/12	12	43.4mm

CTB932VD



PART NO.	POLES	LENGTH
CTB932HD/2	2	8.4mm
CTB932HD/3	3	11.9mm
CTB932HD/4	4	15.4mm
CTB932HD/5	5	18.9mm
CTB932HD/6	6	22.4mm
CTB932HD/7	7	25.9mm
CTB932HD/8	8	29.4mm
CTB932HD/9	9	32.9mm
CTB932HD/10	10	36.4mm
CTB932HD/11	11	39.9mm
CTB932HD/12	12	43.4mm

CTB932HD

