



002

PCB TERMINAL
BLOCKS

081

TERMINAL STRIPS

095

WIRE TO BOARD
CONNECTORS

100

CIRCULAR
CONNECTORS

151



IP68 CONNECTORS

158

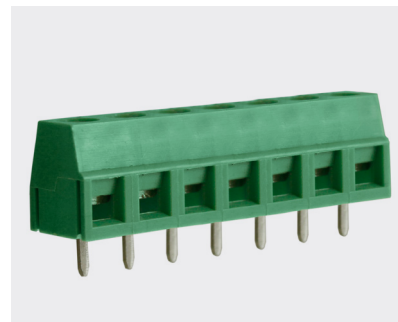
INTERFACE
MODULES AND
RELAY BASES

5.08mm pitch low profile rising clamp terminal blocks

Product overview

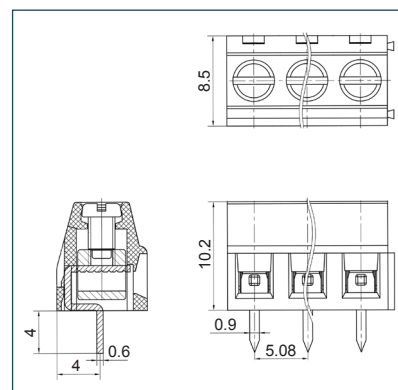
- 2 and 3 pole double interlocking mechanism for increased strength
- Professional rising clamp terminals
- Low profile
- Moulded in green UL94-V0 flame retardant PA66
- Cable acceptance - 0.4-1.3mm² (26-16AWG)
- Guided pin alignment
-   approved

CTBP0508



SPECIFICATION	
Rating	UL=8A/300V, VDE=15A/250V
Insulation resistance	500M Ω /500V
Withstand voltage	AC2000V/1min
Contact resistance	20m Ω (max)
Working temperature	-40°C to +105°C
Moulding	UL94-V0 flame retardant PA66
Pin/terminal	Tin plated brass
Rising clamp	Brass, nickel plated
Screw/torque	M2.5 steel, zinc plated 0.4Nm
Recommended PCB hole size	ϕ 1.3mm

PART NO.	POLES	LENGTH
CTBP0508/2	2	10.16mm
CTBP0508/3	3	15.24mm
CTBP0508/4	4	20.32mm
CTBP0508/5	5	25.4mm
CTBP0508/6	6	30.48mm
CTBP0508/7	7	35.56mm
CTBP0508/8	8	40.64mm
CTBP0508/9	9	45.72mm
CTBP0508/10	10	50.8mm
CTBP0508/11	11	55.88mm
CTBP0508/12	12	60.96mm



KEY FEATURES

Low profile | Double interlock mechanism | Professional rising clamp

