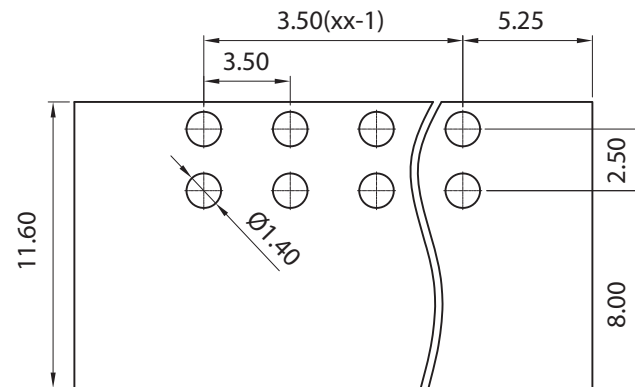
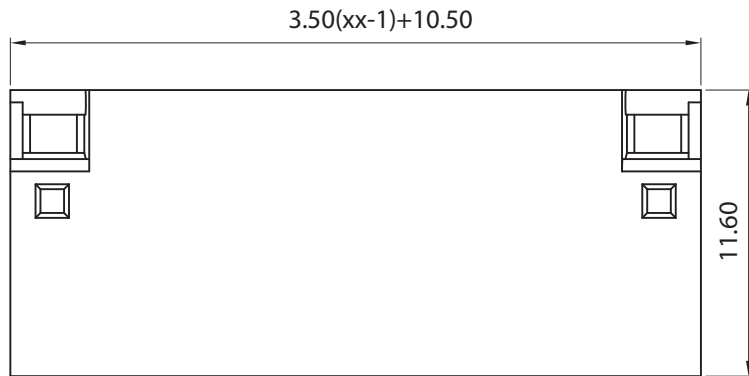
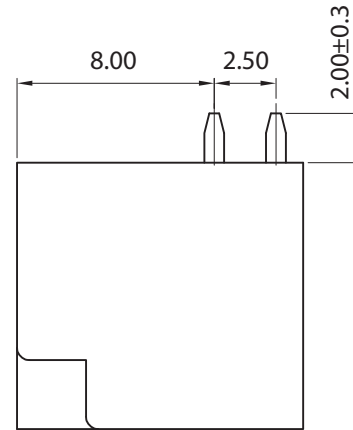
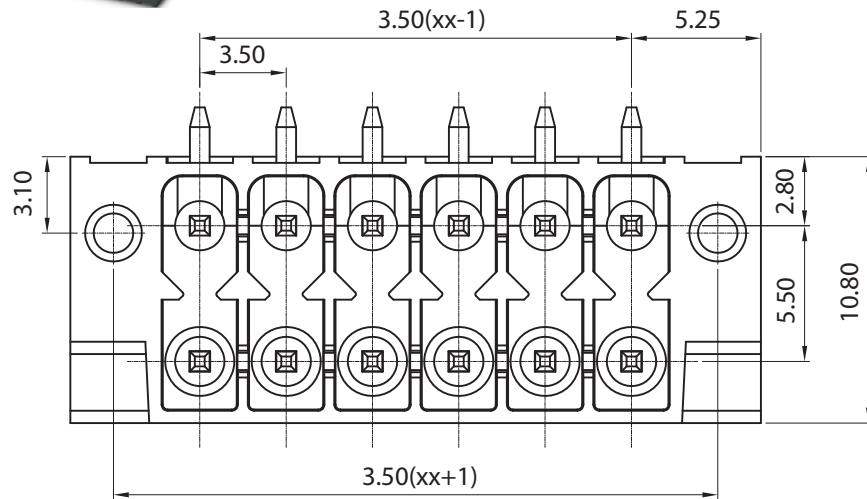
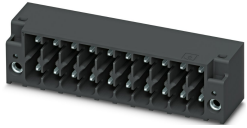


# PHOENIX 1874072 drop-in alternative

Pluggable Terminal Block DMC1,5/16-G1F-3,5-LR LR P26THR- PCB header



p.c.b. layout

## Approvals



8A - 300V

## Electrical

Rated voltage 250V  
 Rated current 8A  
 Contact resistance 20mΩ  
 Insulation resistance 500MΩ/DC500V  
 Withstanding voltage AC1600V/1min  
 Wire range

Torque  
 Temp. Range -40°C +130°C  
 Stripping length  
 Max sold. time +285°C for 10 sec

## Dimensions

Pitch 3,5 mm  
 Poles 2+2÷24+24

## Material

Housing LCP UL94V0  
 Pin Copper Alloy,Sn plated  
 Cage  
 Screws  
 Side Block  
 Nut screw  
 Clamp

General description of ordering code

| Series | n. Poles | Pitch | Version | Color | Custom |
|--------|----------|-------|---------|-------|--------|
| BCEL   | 02÷24    | -3.5  | -VM     |       | -TH    |

Version Date

01/23 19/05/23



|                           |  |  |       |              |               |               |                |                 |             |       |                |             |   |                    |
|---------------------------|--|--|-------|--------------|---------------|---------------|----------------|-----------------|-------------|-------|----------------|-------------|---|--------------------|
| Pluggable Terminal Blocks |  | linear dimension (Tolerances Standard GB/T 14486-2008) |       |              |               |               |                |                 |             |       |                | UNITS: mm   | First angle projection<br><b>BCEL-3.5-HM-TH</b> |                    |
|                           |  | variable range   | to 6  | over 6 to 10 | over 10 to 30 | over 30 to 60 | over 60 to 100 | over 100 to 160 | over 160 to | to 10 | over 10 to 100 | over 100 to |   | SCALE: 10:1        |
|                           |  | tolerance  | ±0.20 | ±0.30        | ±0.50         | ±0.70         | ±1.00          | ±1.30           | ±1.60       | 0.10  | 0.30           | 0.60        |   | SHEET SIZE: ISO A4 |