

ACX-1050 alternative

Type JDCU0950-T14-T01 series

Mini-Precision Current Transformer Type JDCU0950-T14-T01

The JDCU0950-T14-T01 series are mini-precision current transformers.
The CT is small size, PCB mounting and low cost

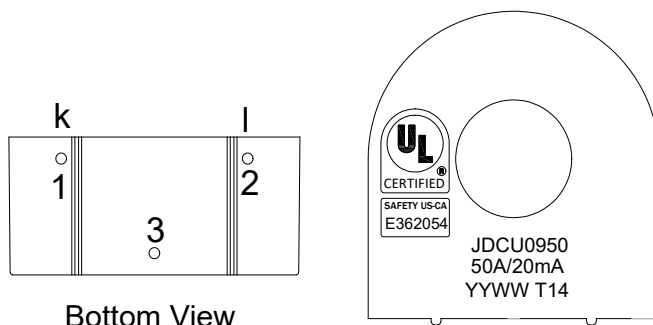
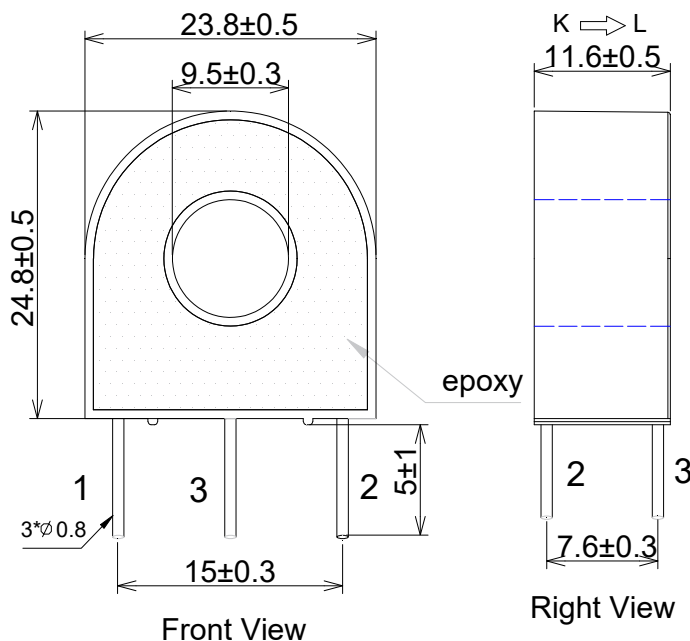


Electrical Specifications

Rated Primary Current(Amp.)	50nom(1~60A max.)
Turn Ratio	Np:Ns=1:2500
Current Ratio	50A/20mA
Winding D.C. Resistance at 20°C(Ω)	150max.
Accuracy @RL=33Ω	1.0%
Phase Error at Rated Current Range	≤1°
Operating Temperature Range	-40~65°C
Storage Temperature Range	-45~85°C
Dielectric Withstanding Voltage	4KV/1mA/1min
Frequency Range	50-60 Hz
Insulation Resistance	DC500V/100MΩ min



Mechanical Dimensions in mm



APPLICATIONS

- Current Measurement
- Monitoring & Protection
- Energy and sub-metering products
- Network equipment
- Instruments and sensors
- Control systems

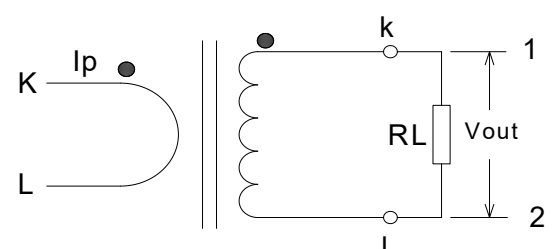
FEATURES

- PCB Mount
- 9.5mm window size (ID)
- Rigid case with UL 94V-0 durable plastic
- Output Terminal: 3PIN ∅0.8
- Approximate weight 25g
- ANSI C57.13 and IEC61869-2 Standards

Advantage

- Small size
- Low cost
- Excellent linearity over the whole range
- Fully RoHS Compliant

Connections Diagram



ACX-1050 alternative

Type JDCU0950-T14-T01 series



Mini-Precision Current Transformer Type JDCU0950-T14-T01

The JDCU0950-T14-T01 series are mini-precision current transformers.
The CT is small size, PCB mounting and low cost

Change History

Date	Rev	Author	Description
07/21/2021	V0	Henry	Original