

# Nuvotem Talema AZ-1000 alternative - Current Transformer

50A Input, 1000:1

Mini-Precision Current Transformer Type ECO07 Series



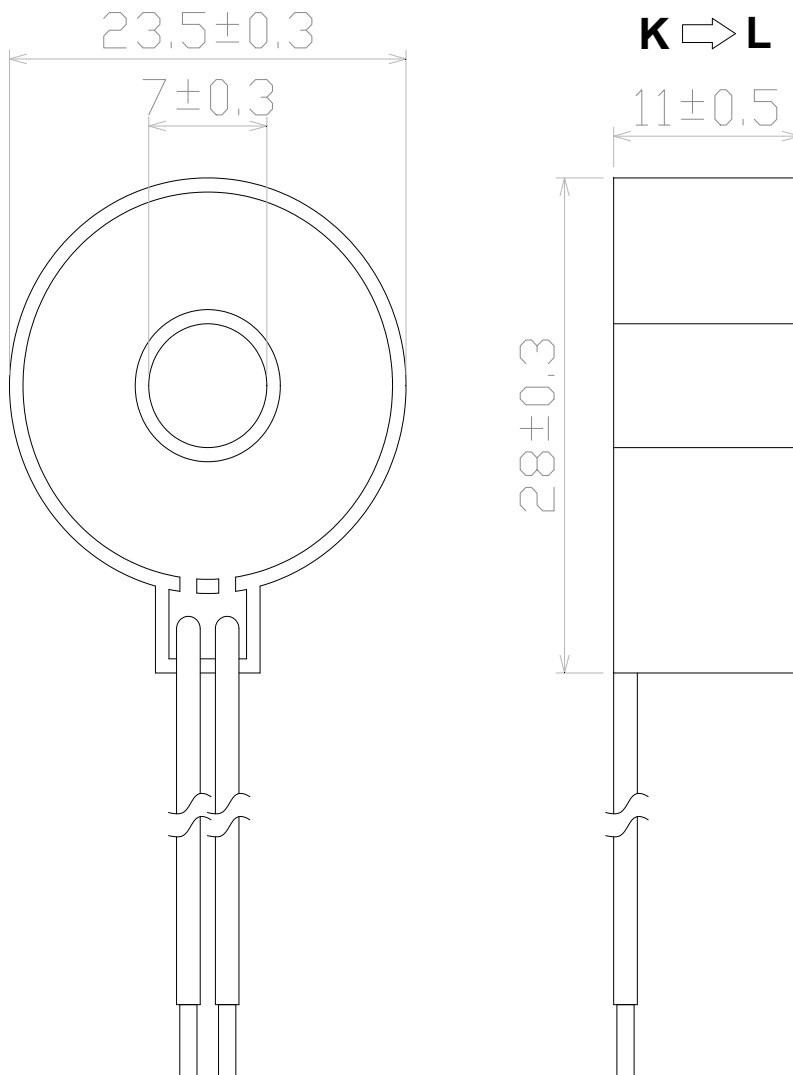
The ECO07 series are mini-precision current transformers.  
The CT is Small size and low cost

## Electrical Specifications

MODEL	INPUT CURRENT	AVAILABLE OUTPUT
ECO07-05	5 A	CURRENT OUTPUTS @2mA, 2.5mA, 5mA, 10mA,20mA, 40mA,60mA (can be customized by customer)
ECO07-10	10 A	
ECO07-20	20 A	
ECO07-30	30 A	
ECO07-50	50 A	
ECO07-60	60 A	



## Mechanical Dimensions in mm



## APPLICATIONS

- Energy and sub-metering products
- Electrical load monitoring
- Network equipment
- Instruments and sensors
- Control systems
- Go GREEN initiatives

## FEATURES

- 0.276" window opening (ID)
- Custom design Turns-Ratio available
- Rigid housing case with UL 94V-0 durable plastic
- PVC wire leads—26~24AWG
- Approximate weight 15g

## SPECIFICATIONS

- Standard Input Current 0.1-60A
- Frequency 50Hz — 400Hz
- Standard accuracy 0.2, 0.5,1
- Insulation Voltage 4000 Vac/1min
- Operating Temp. -40°C to +65°C
- Storage Temp. -45°C to +85 °C
- ANSI C57.13 and IEC61869-2 Standards

## Connection Diagram

