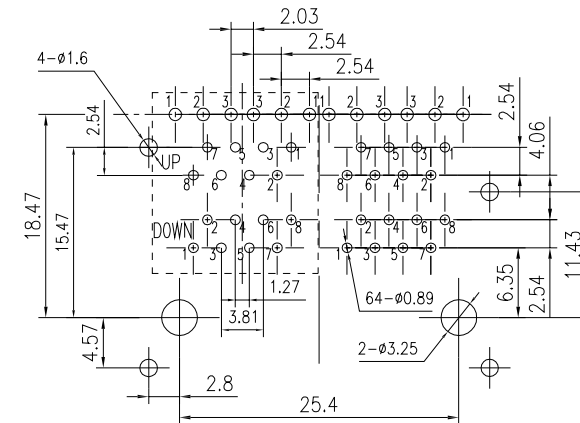
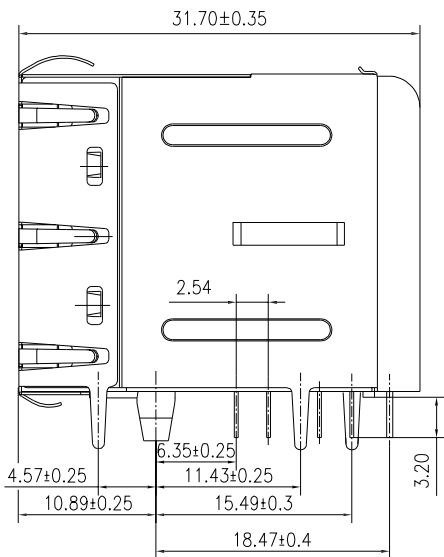
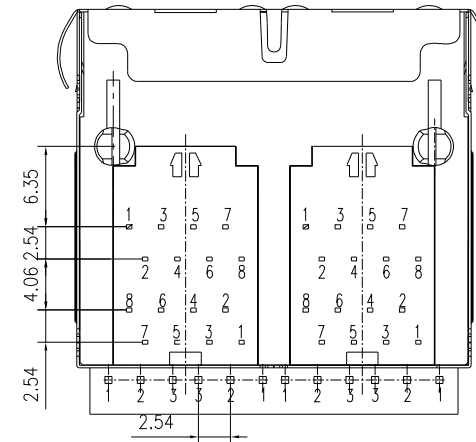
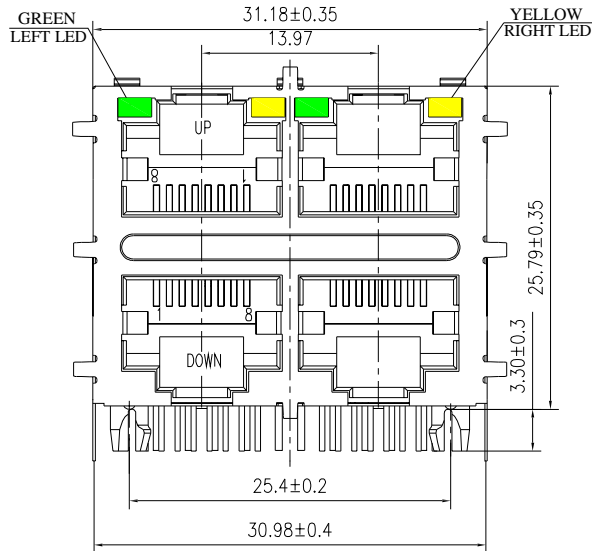


ROHS

1.Mechanical :

REV.	ECN NO.	LOCATIONS	DESCRIPTION	DATE	DESIGN
A			INITIAL EDITION	2016.06.28	AJ.Yang



Suggested PCB Layout



RoHS Compliant

2. NOTES:

1. Designed to support application, such as SOHO(ADSL modems), LAN-on-Motherboard(LOM), hub and Switches.
2. Meets IEEE 802.3 specification.
3. Connector Materials:  
Housing: Thermoplastic UL94V-0

Contact/Shield: Copper alloy

Shield plating: Nickel

Contact plating: Gold 6 micro-inches min.  
In contact area.

4. Wave solder tip temperature: 265 °C  
Wave solder tip temperature time: 5 Sec Max



TOLERANCE:  
X.X ±0.35  
X.XX ±0.25  
X.XXX ±0.15  
Angle ±3.0°

SCALE:1:1 SIZE:A4

BEC DISTRIBUTION LIMITED

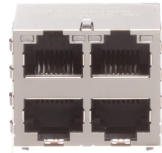
DESIGN:  
AJ.Yang 2016.06.28  
CHECKED:  
YK.Zhang 2016.07.10  
APPROVED:  
SJ.Li 2016.07.28

TITLE: RJ45 Connector 2x2 Port With 10/100 Base-T Magnetic Module Jack  
PART NO. J20-0013NL alternative  
DRAW NO. ZSZ-618-A  
SHEET NO. 1/1

ROHS

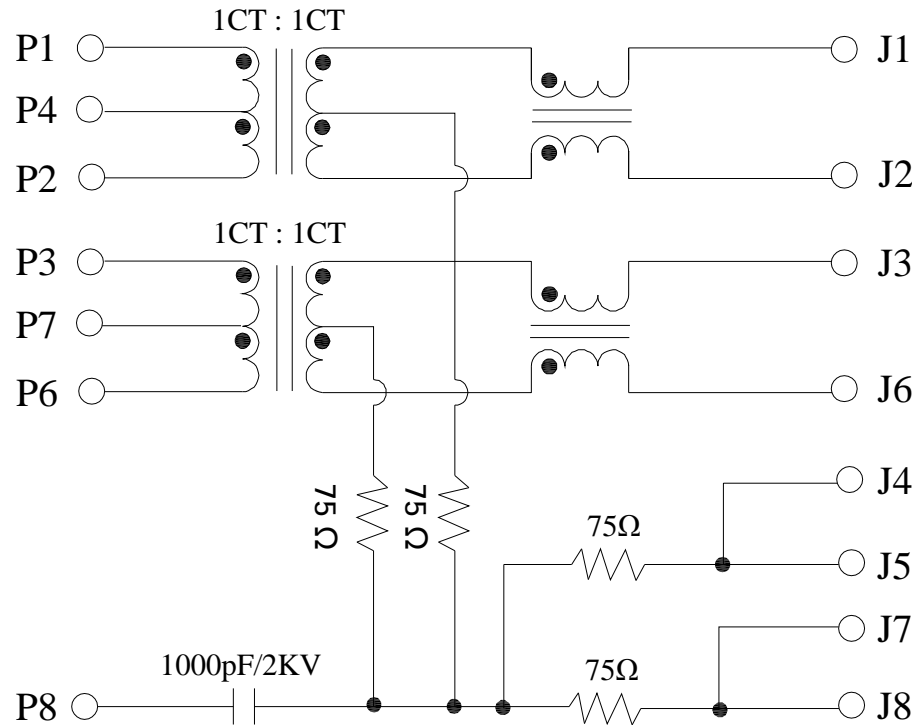
REV.	ECN NO.	LOCATIONS	DESCRIPTION	DATE	DESIGN
A			INITIAL EDITION	2016.06.28	AJ.Yang

2.Schematic :



2x2 RJ-45 Connector

F 32 POS 2.54mm Solder RA Thru-Hole 44 Terminal 4 Port Cat 5/Cat 6



ELECTRICAL SPECIFICATIONS @25°C:

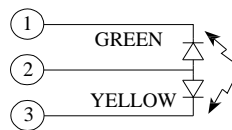
- Turn Ratio: 1CT: 1CT ±5%
- OCL: 350uH MIN @ 100KHz 100mV, 8mA DC
- Insertion Loss: 1-65MHz: -1.0dB MAX
- Return Loss(dB MIN):
 

1-10MHz: -20	10-30MHz: -16
30-60MHz: -12	60-80MHz: -12
- Cross Talk(dB MIN):
 

1-30MHz: -40	30-60MHz: -35
60-100MHz: -30	
- Common Mode Rejection (dB MIN):
 

1-50MHz: -30	50-150MHz: -20
--------------	----------------
- Hi -Pot: 1500Vac 60s or 2250Vdc 60s
- Operating temperature range: -40°C T0 +85°C

LED Specification



Standard LED Color	LED Wavelength	Forward (V Max)	Typical (V TYP)
Green	560-580nm	2.5	2.1-2.2
Yellow	580-610nm	2.5	2.1-2.2



RoHS Compliant

<b>BEC DISTRIBUTION LIMITED</b>			
UNIT: mm [inch] TOLERANCE: X.X ±0.35 X.XX ±0.25 X.XXX ±0.15 Angle ±3.0°	DESIGN: AJ.Yang 2016.06.28 CHECKED: YK.Zhang 2016.07.10 APPROVED: SJ.Li 2016.07.28	<b>TITLE:</b> RJ45 Connector 2x2 Port With 10/100 Base-T Magnetic Module Jack	
SCALE:1:1	SIZE:A4	PART NO.	J20-0013NL alternative
		DRAW NO.	ZSZ-618-A
		SHEET NO.	1/1