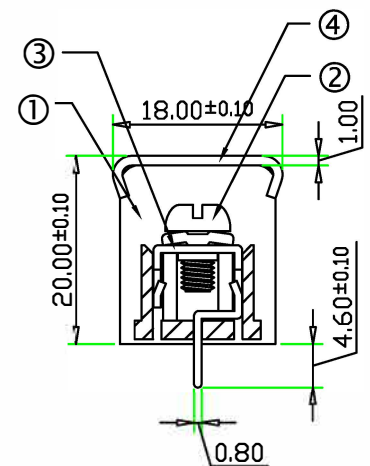
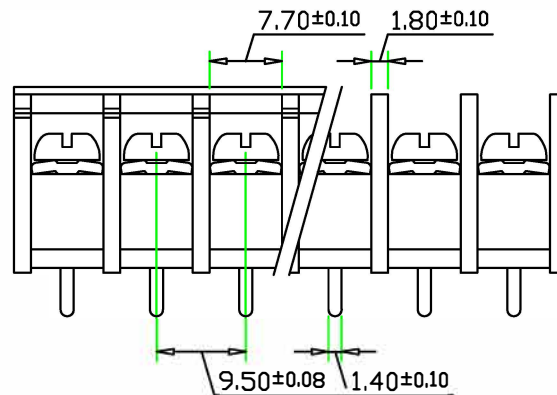
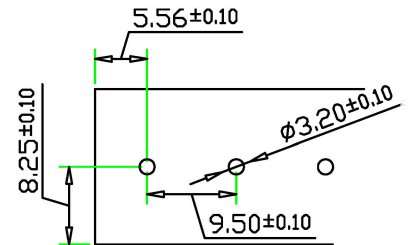
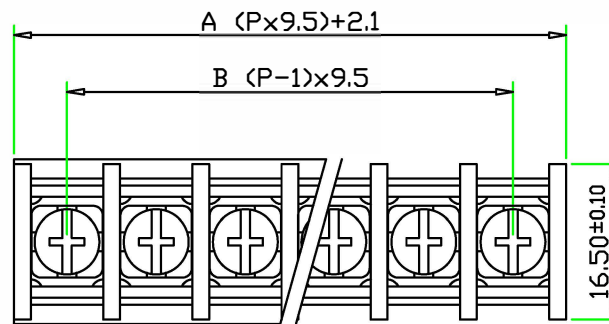
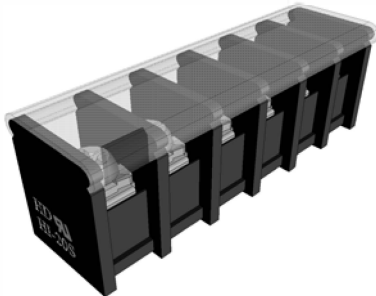


38720-6903 alternative

Barrier type terminal block

SR BTS PC BRS 3 ASY R BTS PC BRS 3 ASY C

BEAC
DISTRIBUTION LTD



SPECIFICATIONS

- CD Housing Material: Polyamide 66(UL94V-0), Black
- Screw: M3.5 Nickel Plated Steel
- Terminals: Tin Plated Brass
- Cover: PC Transparent
- Screws Torque: 12 In-Lb
- Wire Range: 14 ~ 22 AWG
- Rated: 10 Amperes.AC250V
- Operation Temperature: -55°C ~ +95°C
- Insulation withstands volt: AC2000V min
- Insulation resistance: > 1000MQ or more at DC500V