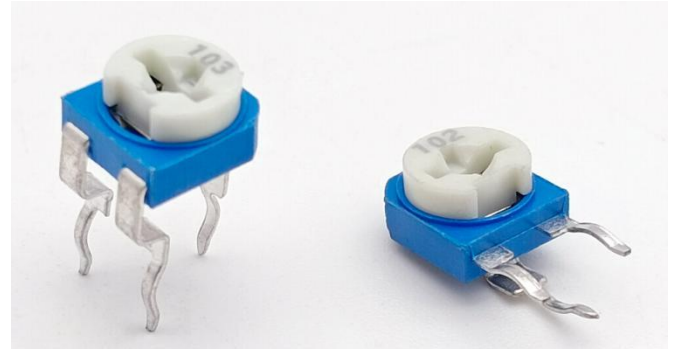


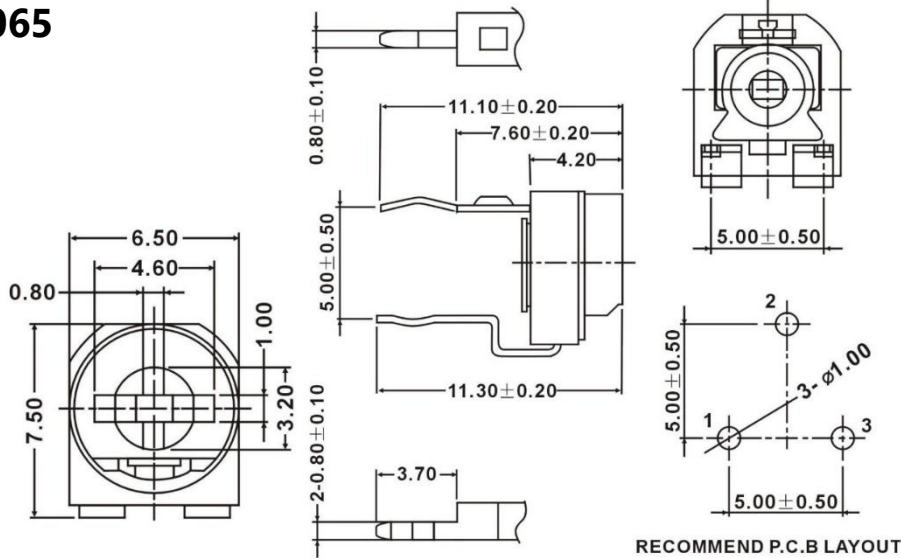
FEATURES

- Single turn Trimming Potentiometer.
- Phenolic Trimming Potentiometer.
- Cross slot rotor.
- Tops adjust and side adjust available.

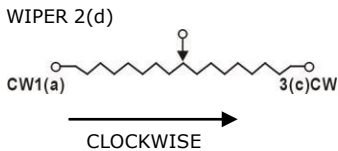
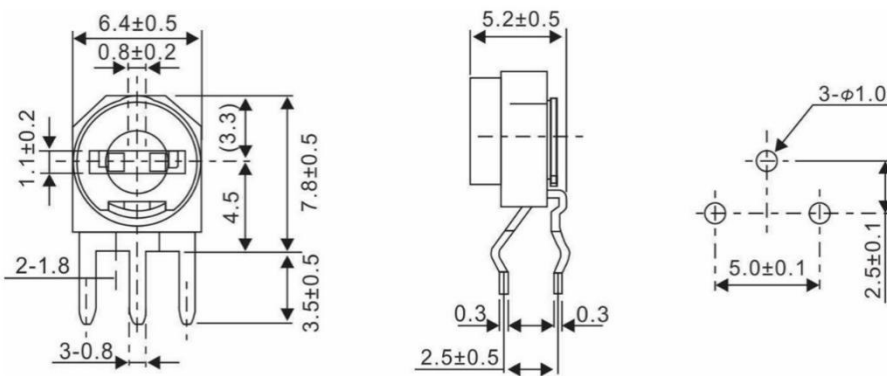
DRAWING (mm)



WTP-065



WTP-063



Tolerance is ±0.25 if no identification



SPECIFICATIONS

Electrical Characteristics	
Standard Resistance Range	100Ω - 2MΩ
Resistance Tolerance	±30%
Residual Resistance	Max 5% of Nominal Resistance, But under 30Ω
Resistance Taper	Linear (B)
Rated Power	0.1W
Operating Voltage	50V Max
Rotational Life	Max ±5% change in resistance after 100 unloaded rotations
Load Life	Max ±5% change in resistance after 3 hours loaded

Climatic Characteristics	
Operating Temp	WTP-065: -25°C ~ 40°C WTP-063: -25°C ~ 70°C
TempCharacteristics	Temp Characteristics +5~ -10% change in NR after 5 hours at 70°C
Humidity Char	Maximum resistance change within ±20% after 500hours unloaded at 40°C and R.H.95%

Mechanical Characteristics	
Rotational Angle	200° ± 20°
Rotational Torque	30~350g.cm
Stop-end Strength	500g.cm minimum

Soldering Conditions	
Temperature	WTP-065: 260°C WTP-063: 250°C
Time	WTP-065: 3 seconds WTP-063: 2 seconds



PN STRUCTURE

WTP-065-103-R

<u>WTP</u>	<u>065</u>	<u>103</u>	<u>R</u>
<u>Series</u>		<u>Resistance</u>	<u>RoHS</u>
<u>1</u>		<u>2</u>	<u>3</u>

2. Resistance (Special Resistances Available)

Resistance Code	Resistance (Ohms Ω)	Resistance Code	Resistance (Ohms Ω)
101	100	203	20,000
201	200	223	22,000
301	300	303	30,000
331	330	333	33,000
471	470	473	47,000
501	500	503	50,000
681	680	683	68,000
102	1,000	104	100,000
152	1,500	154	150,000
202	2,000	204	200,000
222	2,200	224	220,000
302	3,000	304	300,000
332	3,300	334	330,000
472	4,700	474	470,000
502	5,000	504	500,000
682	6,800	684	680,000
103	10,000	105	1,000,000
153	15,000	205	2,000,000

