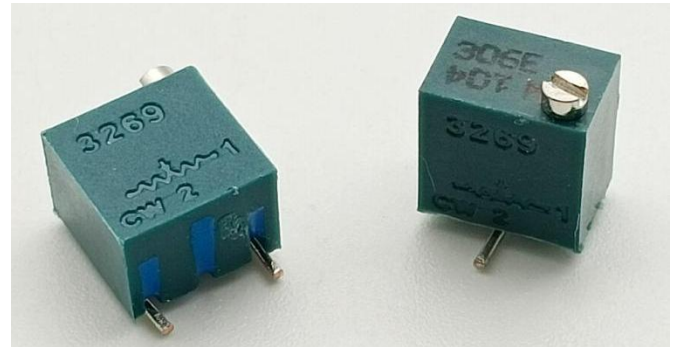


FEATURES

Square SMD Trimming Potentiometer
Stable, infinite resolution cermet element
Vertical and horizontal adjust styles
Suitable for wave soldering and manual soldering only.

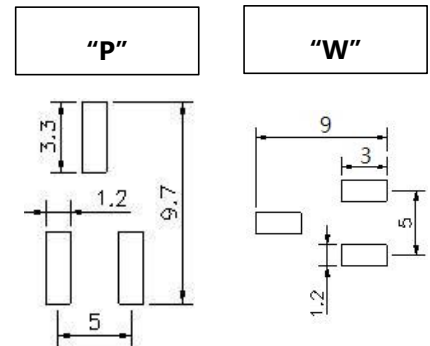
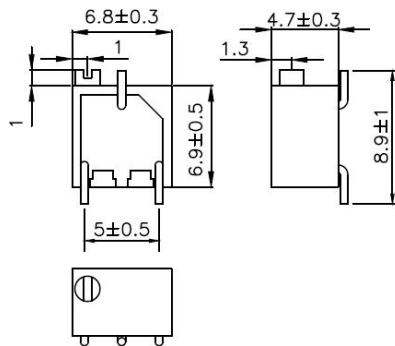
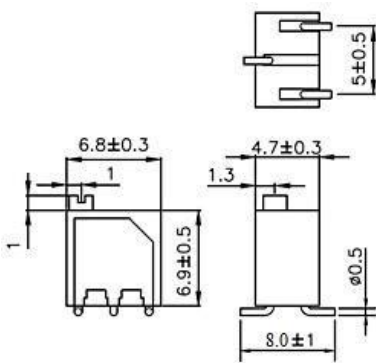
DRAWING (mm)



WTP-3269W

WTP-3269P

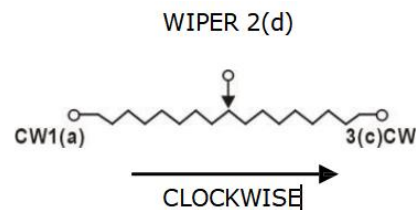
Recommended PCB Layout



SPECIFICATIONS

Electrical Characteristics	
Standard Resistance	10Ω - 5MΩ
Resistance Tolerance	±10% (100Ω ~ 1M) ; ±20% (R<100Ω, >1M)
Terminal Resistance	≤±1%R or 10Ω (whichever is larger)
Contact Resistance Variation	(CRV) ≤ ±3%R or 5Ω (whichever is larger)
Insulation Resistance	≥1GΩ(500V DC)
Withstand Voltage	500VAC
Effective Travel	10 ± 2 turns

Physical Characteristics	
Starting Torque	≤35mN·m
Standard Packaging	WTP-3269W: 50pcs, per tube WTP-3269P: 50pcs, per tube



Tolerance is ±0.25 if no identification



SPECIFICATIONS

Environmental Characteristics	
Power Rating	0.25W(70°C) 0W(125°C)
Temperature Range	-55°C ~ +125°C
Temperature Coefficient	±250x10 ⁻⁶ /°C
Temperature Variation (-55 °C /30MIN,+125 °C /30MIN, 5 CYCLES)	ΔR≤2%R,ΔUAB/UAC≤ ±2%R
Vibration (10–500HZ, 0.75MM, 6H)	ΔR≤±1%R ΔUAB/UAC≤±2%R
Collision (390M/S2,4000CYCLES)	ΔR≤±1%R
Climate Category (IEC68-2-2)	ΔR≤±(5%R+0.1 Ω) Insulation Resistance≥ 100M Ω
Load Life (0.25W, 70°C)	ΔR≤±(5%R+0.1 Ω), CRV≤±3%R OR 5 Ω
Rotational Life (200 CYCLES)	ΔR≤±(10%R+0.5Ω), CRV≤±3% OR 5Ω
Steady Damp Heat (IEC68-2-3, CA, 96H)	ΔR≤±(5%R+0.1 Ω) Insulation Resistance≥ 100M Ω

PN STRUCTURE

WTP-3269-W-103-R

WTP	3269	W	103	R
Series		Style	Resistance	RoHS
1		2	3	4

Resistance (Special Resistances Available)

Resistance Code	Resistance (Ohms Ω)	Resistance Code	Resistance (Ohms Ω)
100	10	203	20,000
200	20	223	22,000
500	50	253	25,000
101	100	303	30,000
151	150	333	33,000
201	200	473	47,000
251	250	503	50,000
301	300	683	68,000
471	470	104	100,000
501	500	154	150,000
681	680	204	200,000
102	1,000	224	220,000
152	1,500	254	250,000
202	2,000	304	300,000
222	2,200	334	330,000
252	2,500	474	470,000
302	3,000	504	500,000
472	4,700	684	680,000
502	5,000	105	1,000,000
682	6,800	205	2,000,000
103	10,000	225	2,200,000
153	15,000	505	5,000,000



WEE Technology Company Limited
FLAT/RM 705, 7/F, FA YUEN COMM
BLDG NO.75, FA YUEN STREET, MONG
KOK, KL, HONG KONG
www.weetcap.com
info@weetcap.com

All details in this data sheet are subject to change without notice.
For more details and updates, please visit our website.

Copyright © 2000 WEE Technology, All rights reserved.

