

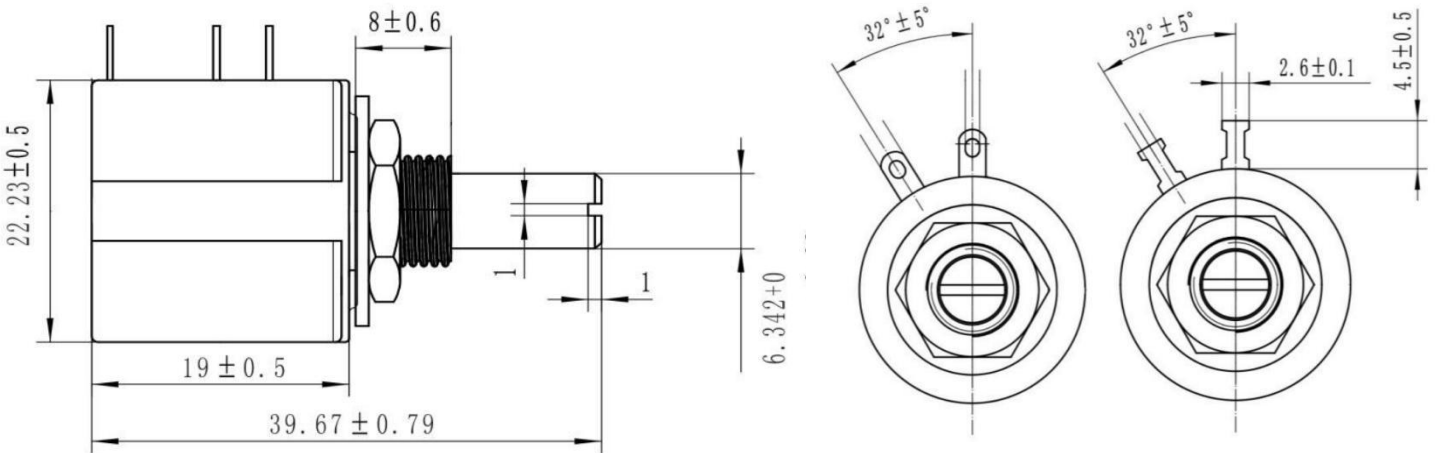
FEATURES

At room ambient: +25°C nominal and 50% relative Humidity nominal, except as noted. Consult manufacturer for complete specification details.

Wire wound element.

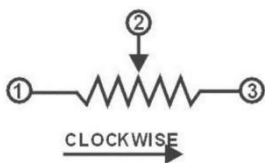


DRAWING (mm)



OPTIONAL ANTIROTATION LUG (-91) 1.42x0.50 ON 7.4
RADIUS.LENGTH 1.27 FROM MOUNTING SURFACE.
(SUGGESTED PANEL HOLE 1.6 DIA.)

TOLERANCE: EXCEPT WHERE NOTED		
	0.25	0.13
DECIMALS: XX±	(0.010).	XXX± (0.005)
FRACTIONS: ±1/64		
MM		
DIMENSIONS: (IN.)		



BOLDFACE LISTINGS ARE IN STOCK AND READILY AVAILABLE THROUGH DISTRIBUTION
FOR SERVO MOUNT VERSION AND OTHER OPTIONS CONSULT FACTORY.

FOR OTHER OPTIONS CONSULT FACTORY. ROHS IDENTIFIER:

L = COMPLIANT

BLANK = NON-COMPLIANT



SPECIFICATIONS

Electrical Characteristics	
Standard Resistance Range	100 to 100K ohms
Total Resistance Tolerance	±5%
Independent Linearity	±0.5%
Effective Electrical Angle	≥3600° - 10°
Terminal Resistance	≤0.2%R or 5Ω
Absolute Minimum Resistance/ Minimum Voltage	1 ohm or 0.2% max (Whichever is greater)
Noise/ Output Smoothness	≤3%R or 3Ω
Dielectric Withstanding Voltage (MIL-STD-202, Method 301) Sea Level	101.3Pa 710V, 8.5kPa 470V
Power Rating (Voltage Limited By Power Dissipation or 447VAC, whichever is Less) +70°C, +125°C	2 watts 0 watt
Insulation Resistance	R ₁ ≥ 1GΩ
Resolution	See recommended part#

Mechanical Characteristics	
Stop Strength	53 N-cm (75 oz-in) minimum
Mechanical Angle	3600° ± 10°
Torque (Starting & Running)	0.35 N-cm (0.5 oz-in) max
Mounting	170-200 N-cm (15-18 lb.-in.) max
Backlash	1.0°C maximum
Weight	Approximately 21gm
Soldering Condition Manual Soldering	96.5Sn/ 3.0Ag/ 0.5Cu solid wire or no-clean rosin cored wire. 370°C (700°F) max. for 3 seconds
Wash Processes	Not recommended
Marking	Manufacturer's name and part number, resistance value and tolerance, linearity tolerance, wiring diagram and date code
Ganging (Multiple Section Pots)	2 cups maximum
Hardware	One lock washer (H-37-2) and one mounting nut (H-38-2) is shipped with each potentiometer

Physical Characteristics	
Total Mechanical Travel	3600° ± 10°
Starting Torque	≤ 36mN-m
Clutch Torque	≥ 300mN-m



WEE Technology Company Limited
FLAT/RM 705, 7/F, FA YUEN COMM
BLDG NO.75, FA YUEN STREET, MONG
KOK, KL, HONG KONG
www.weetcap.com
info@weetcap.com

All details in this data sheet are subject to change without notice.
For more details and updates, please visit our website.

Copyright © 2000 WEE Technology, All rights reserved.



Environmental Characteristics	
Rated Power	+70°C 2W, +125°C 0W
Operating Temperature Range	+1°C to +125°C
Storage Temperature Range	-55°C to +125°C
Temperature Coefficient Over Storage Temperature Range	±100ppm/°C
Temperature Variation	$\Delta R \leq \pm 2\%R$, $\Delta(U_{ab} / U_{ac}) \leq \pm 1\%$
Vibration	10—500HZ, 0.75mm or 98m/s ² , 6h, $\Delta R \leq \pm 1\%R$, $\Delta(U_{ab} / U_{ac}) \leq \pm 2\%$
Collision	390m / s ² , 4000 cycles, $\Delta R \leq \pm 1\%R$
Climate Category	$\Delta R \leq \pm 3\%R$, $R_1 \geq 100M\Omega$
Electrical Endurance at 70°C	2W, 1000h, $\Delta R \leq \pm 3\%R$
Mechanical Endurance	10000 cycles, $\Delta R \leq \pm 3\%R$
Steady damp-heat	$\Delta R \leq \pm 3\%R$, $R_1 \geq 100M\Omega$
Wiper Bounce	0.1 millisecond maximum
Shock	50G
Wiper Bounce	0.1 millisecond maximum
Load Life	1000 hours, 2 watts
Total Resistance Shift	±2%
Rotational Life (No Load)	10,000 cycles, speed 5~10 cycles/ min Starting Torque ≤ 50mN.m
Total Resistance Shift	±5% maximum
Moisture Resistance (MIL-STD-202, Method 103, Condition B) Total Resistance Shift	±2% maximum
IP Rating	IP 40



PN STRUCTURE

WTP-3540S-103-R

<u>WTP</u>	<u>3540S</u>	<u>103</u>	<u>R</u>
<u>Series</u>		<u>Resistance</u>	<u>RoHS</u>
<u>1</u>		<u>2</u>	<u>3</u>

2. Resistance (Special Resistances Available)

Resistance (Ohms)	Resistance Code	Resolution (%)
200	201	0.042
500	501	0.031
1,000	102	0.027
2,000	202	0.021
5,000	502	0.021
10,000	103	0.019
20,000	203	0.014
50,000	503	0.011
100,000	104	0.008

