

02-677F

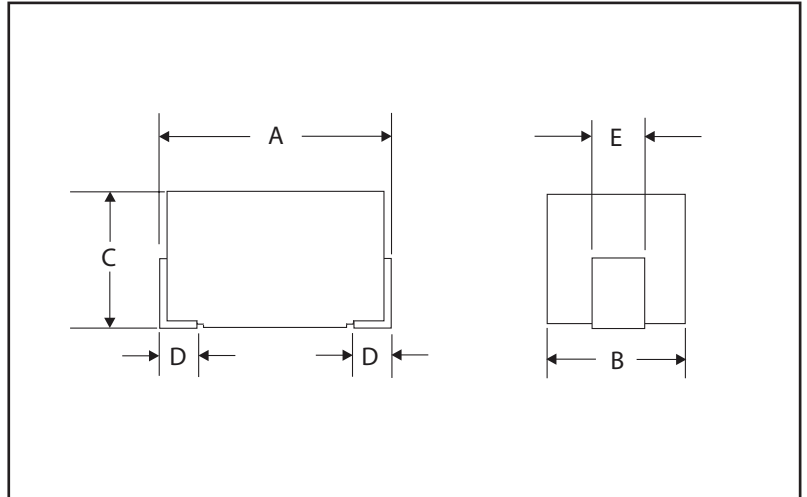
From 5.6 μ H to 1000 μ H



Not actual size

PHYSICAL DIMENSIONS

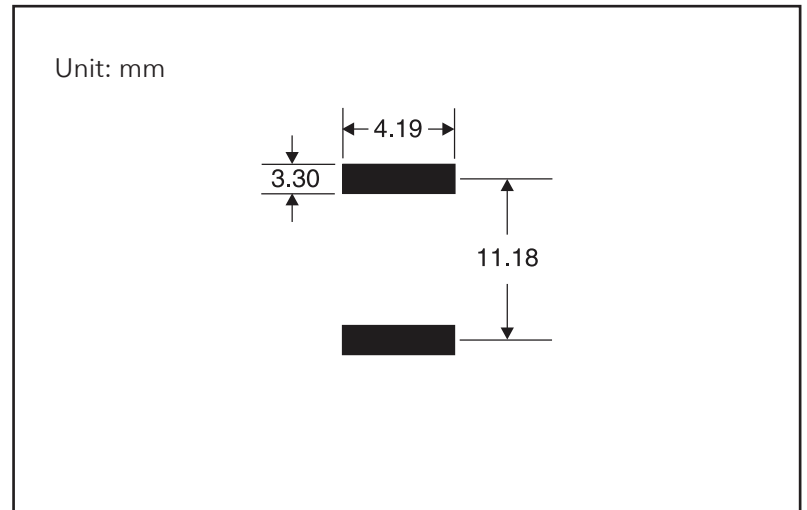
Size	A	B	C	D	E
mm	12.44 to 13.21	5.84 to 6.35	5.33 to 5.84	1.27 Min.	1.397 to 2.413
inches	0.490 to 0.520	0.230 to 0.250	0.210 to 0.230	0.050 Min.	0.055 to 0.095



CHARACTERISTICS

- Description:** SMD molded RF Inductors
 - Applications:** RF signal processing, telecommunications, industrial control systems, power management (PMIC), etc.
 - Operating Temperature:** -55°C to +125°C
 - Inductance Tolerance:** $\pm 5\%$, $\pm 10\%$, $\pm 20\%$
 - Testing:** Inductance tested at specified frequency.
 - Rated Current:** Based on the inductance change within 10% of the initial value.
 - Reflow Soldering:** 260°C, 10sec
 - Resistance to Soldering Heat:** 260°C, 15sec max.
 - Packaging:** Tape & Reel
 - Marking:** Parts are marked with inductance code.
 - Miscellaneous:** **RoHS Compliant.**
- Samples available. See website for ordering information.*

RECOMMENDED LAND PATTERN



RF Inductors - Molded

SPECIFICATIONS

Please specify inductance tolerance code when ordering.
 02-677F-5R6_ ← J = ±5%, K = ±10%, M = ±20%

Part Number	L (µH)	Test Freq.	Q Min.	SRF Min. (MHz)	DCR Max. (Ω)	Rated I (mA)
02-677F-5R6_	5.6	7.9MHz	45	60	0.32	1030
02-677F-6R8_	6.8	7.9MHz	50	55	0.50	820
02-677F-8R2_	8.2	7.9MHz	50	50	0.60	748
02-677F-100_	10	7.9MHz	55	45	0.90	610
02-677F-120_	12	2.5MHz	65	42	1.10	555
02-677F-150_	15	2.5MHz	65	40	1.40	495
02-677F-180_	18	2.5MHz	75	34	2.25	388
02-677F-220_	22	2.5MHz	75	30	2.50	368
02-677F-240_	24	2.5MHz	60	26	2.50	368
02-677F-270_	27	2.5MHz	60	25	2.60	360
02-677F-300_	30	2.5MHz	65	21	2.80	348
02-677F-330_	33	2.5MHz	65	19	3.00	337
02-677F-360_	36	2.5MHz	60	15.5	2.50	368
02-677F-390_	39	2.5MHz	60	14.5	2.60	361
02-677F-430_	43	2.5MHz	60	13.7	2.70	353
02-677F-470_	47	2.5MHz	55	13.0	2.75	351
02-677F-510_	51	2.5MHz	55	12.7	2.85	344
02-677F-560_	56	2.5MHz	55	12.0	3.00	335
02-677F-620_	62	2.5MHz	55	11.5	3.15	328
02-677F-680_	68	2.5MHz	55	11.0	3.30	320
02-677F-750_	75	2.5MHz	55	10.5	3.70	302
02-677F-820_	82	2.5MHz	50	10.3	3.90	295
02-677F-910_	91	2.5MHz	50	10.0	4.30	280
02-677F-101_	100	2.5MHz	50	9.5	4.50	275
02-677F-111_	110	0.79MHz	60	8.9	4.90	262
02-677F-121_	120	0.79MHz	65	8.7	5.20	255
02-677F-131_	130	0.79MHz	65	8.5	5.45	250
02-677F-151_	150	0.79MHz	65	8.0	6.05	237
02-677F-161_	160	0.79MHz	65	7.5	6.40	230
02-677F-181_	180	0.79MHz	65	8.0	6.05	224
02-677F-201_	200	0.79MHz	65	6.5	7.10	219
02-677F-221_	220	0.79MHz	65	6.2	7.45	213

SPECIFICATIONS

Please specify inductance tolerance code when ordering.
 02-677F-241_ ← J = ±5%, K = ±10%, M = ±20%

Part Number	L (μ H)	Test Freq.	Q Min.	SRF Min. (MHz)	DCR Max. (Ω)	Rated I (mA)
02-677F-241_	240	0.79MHz	65	5.9	7.80	210
02-677F-271_	270	0.79MHz	65	5.7	11.00	182
02-677F-301_	300	0.79MHz	65	5.4	11.50	178
02-677F-331_	330	0.79MHz	65	5.1	12.00	173
02-677F-361_	360	0.79MHz	65	4.8	12.50	171
02-677F-391_	390	0.79MHz	65	4.5	16.30	149
02-677F-431_	430	0.79MHz	65	4.2	17.10	147
02-677F-471_	470	0.79MHz	65	3.9	17.90	143
02-677F-501_	500	0.79MHz	65	3.7	18.80	139
02-677F-561_	560	0.79MHz	65	3.8	19.50	136
02-677F-621_	620	0.79MHz	65	3.3	25.90	119
02-677F-681_	680	0.79MHz	65	3.1	27.20	116
02-677F-751_	750	0.79MHz	65	2.9	28.60	112
02-677F-821_	820	0.79MHz	65	2.7	30.00	110
02-677F-911_	910	0.79MHz	65	2.5	31.50	107
02-677F-102_	1000	0.79MHz	65	2.3	33.00	105